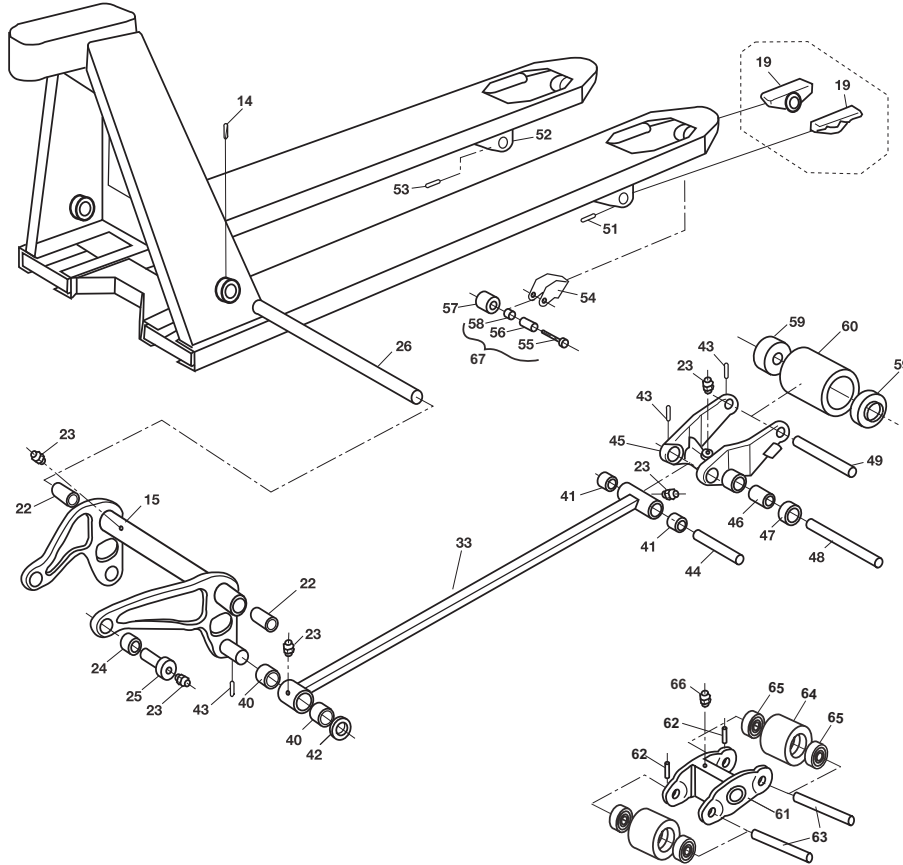


PALLET JACK PARTS

BT LHM 230 Frame

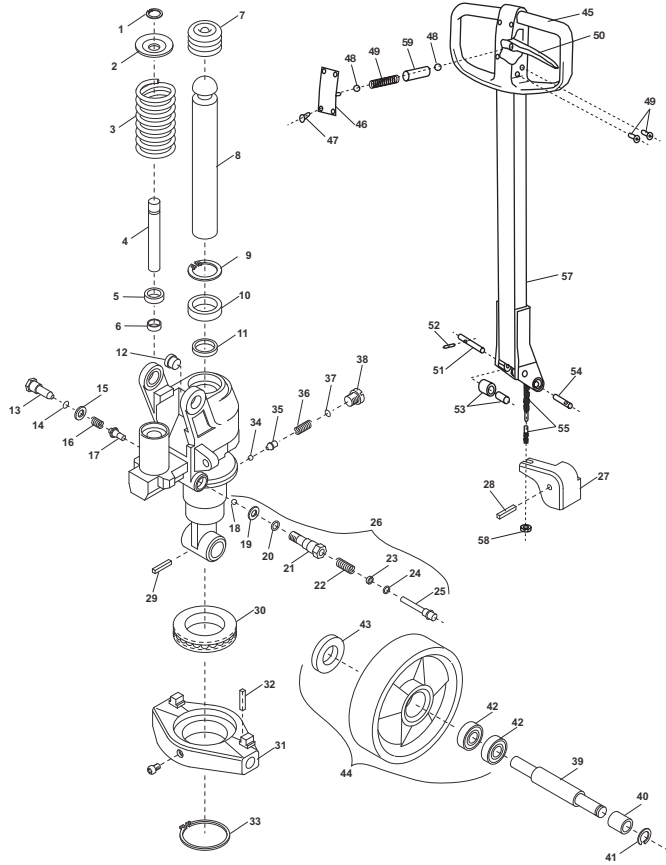


BT LHM 230 Frame

Item#	Part#	Description	Item#	Part#	Description
14	22128	Roll Pin	66	27662	Lube Fitting, (Press-In)
15	64183	Lifting Link, 27" Wide Jack	67	21385-A	Entry Roller Assembly
19	47135	Ear-Weldment		60056	Brake Cable Assembly (up to Series 10)
22	47167	Bushing		150785	Brake Cable Assembly (Series 11)
23	27662	Grease Fitting (Press-In)		177113	Brake Cable Assembly (Series 12)
24	30018	Bushing		109305	Brake Wheel, Poly On Steel
25	166701	Shoulder Pin			
26	47157	Lifting Link, 27" Wide Jack			
33	157213	Push Rods, 48 Forks			
40	51805	Bushing			
41	47117	Bushing			
42	20013	Washer			
43	20001	Roll Pin			
44	126131	Push Rod Axle			
45	149466	Load Roller Bracket			
46	51805	Bushing			
47	66367	Exit Roller			
48	47134	Pivot Axle			
49	47133	Load Roller Axle			
51	27921	Roll Pin			
54	47110	Entry Roller Bracket			
55	21385	Bolt			
56	47151	Sleeve			
57	47150	Entry Roller			
58	20433	Nut			
59	167630	Bearing, 47 mm OD (Newer Style)			
60	167609-D	Load Roller Assembly, red ultra poly on aluminum hub w/bearings, 2.9" Dia.			
	167609	Load Roller Assembly, black ultra poly on steel hub w/bearings, 2.9" Dia.			
60	167600	Load Roller Assembly, nylon w/bearings, 2.9" Dia.			
	15881	Load Roller Assembly, black ultra poly on steel hub w/bearings, 2.9" Dia.			
	15881-D-WA	Load Roller Assembly, red ultra poly on aluminum w/bearings, 2.9" Dia. Wet Application			
	15881-WA	Load Roller Assembly, black ultra poly on steel hub w/bearings, 2.9" Dia. Wet Application			
	55002-A	Load Roller Assy - 2.9" Diameter, Steel			
	GWK-BTL-CK	Complete Wheel Kit, 2 load roller assy, 2 steer wheel assy w/bearings, axles and fasteners			
	GWK-BTL-LW	Load Wheel Kit, (L 2000-U & L 2300-U) 2 load roller assy w/bearings, axles and fasteners			
61	179206	Tandem Load Roller Bracket			
62	20001	Roll Pin			
63	47162	Load Roller Axle, Tandem			
64	167612	Load Roller Assembly, Tandem Black Ultra Poly On Steel			
65	167630	Bearing			

PALLET JACK PARTS

BT LHM 230 Hydraulic Unit



BT LHM 230 Hydraulic Unit

Item#	Part#	Description	Item#	Part#	Description
1	20043	Snap Ring	41	20019	Lock Ring
2	215282	Washer	42	210062	Bearing
3	215156	Spring	43	156623	Dust Cover
4	215286	Piston	44	160422-HD	Steer Wheel Assembly, Red Ultra Poly On Aluminum Hub W/ Bearings, 7" Dia., Open Hub
5 A B	21060	Scraper		160422-ST	Steer Wheel Assy, Black Poly On Nylon Hub W/ Bearings, 7" Dia., Open Hub
6 A B	215866	U-Cup		160421	Steer Wheel Assembly, Black Nylon Hub W/ Bearings, 7" Dia., Open Hub
7	215803	Sleeve		160433	Steer Wheel Assembly, Steel W/ Bearings, 7" Dia.
8	215030	Piston		GWK-BTL-CK	Complete Wheel Kit, 2 load Roller Assy, 2 steer wheel assy w/bearings, axles and fasteners
9 A B	20642	Lock Ring	45	173752	Handle Loop
10 A B	20066	Scraper	46	173753	Cover
11 A B	215867	U-Cup	47	177154	Screw
12	215913	Bushing	48	20065	Ball
13	221586	Screw	49	218182	Plastic Plug
14	24213	O-Ring	50	173754	Handle Lever
15 A B	219201	Washer	51	47930	Axle
16 A B	39106	Spring	52	20461	Roller Pin
17 A B	223935	Valve Cone	53	202755	Roller / Bushing
18 A B	20065	Ball	54	227911	Axle
19 A B	215288	Washer	55	215775	Control Rod and Chain Assembly
20 A B	22032	O-Ring	57	215131	Complete Handle Assembly
21 A	223977	Valve Body	58	21094	Adjusting Nut
22 A B	47071	Spring	59	54140	Sleeve
23 A B	49513	Guide	KITS A	129883	Seal Kit
24 A B	22318	Scraper	KITS B	129883-Super	Super Seal Kit
25 A B	47051	Release Pin			
26	215776	Lowering Valve-Complete			
27	215128	Lowering Arm			
28 A B	220312	Roll Pin			
29	220312	Roll Pin			
30	228275	Ball Bearing			
31	215092	Traverse			
32	20001	Roll Pin			
33	228129	Lock Ring			
34	22055	Ball			
35	221231	Guide Pin			
36	221227	Spring			
37 A B	22032	O-Ring			
38	223922	Screw			
39	220310	Steer Wheel Axle			
40	161637	Spacer			