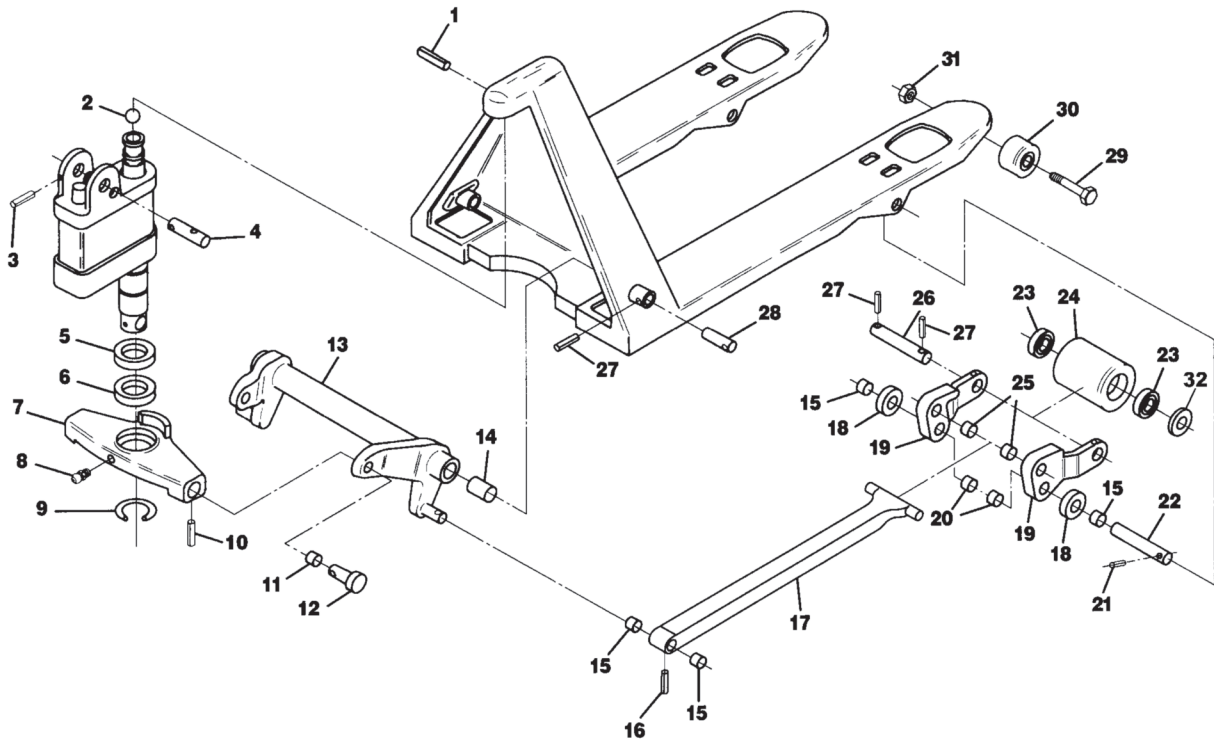


# PALLET JACK PARTS

## Crown PTH50 Frame

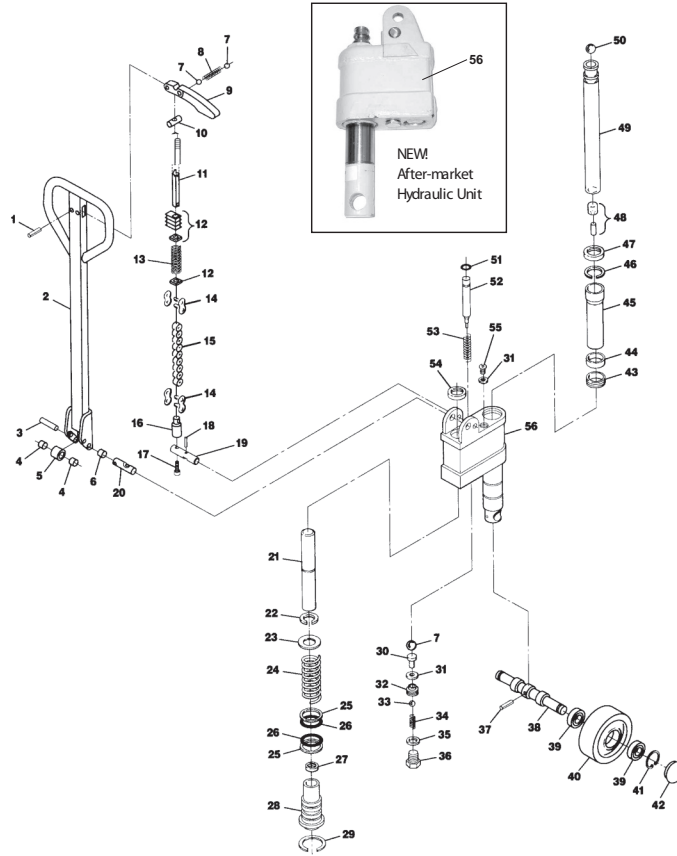


## Crown PTH50 Frame

Item#	Part#	Description	Item#	Part#	Description
1	50000-014	Roll Pin	32	44516	Washer
2	55001-010	Ball	KITS	RPK50	Roll Pin Kit
3	50000-015	Roll Pin			
4	44519	Handle Axle			
5	44468	Washer			
6	55018-001	Traverse Bearing			
7	44466	Traverse			
8	54011-001	Lube Fitting			
9	50012-024	Snap Ring			
10	50000-010	Roll Pin			
11	41201	Bushing			
12	44467	Pin			
13	44472	Lifting Link, 20" Wide Jack Special Order			
	44473	Lifting Link, 27" Wide Jack			
14	55084-002	Bushing			
15	42053-011	Bushing			
16	50000-016	Roll Pin			
17	44488-002	Push Rod, 36" Forks			
	44488-004	Push Rod, 42" Forks Special Order			
	44488-006	Push Rod, 48" Forks (Incl Item 15)			
18	44777	Exit Roller			
19	44501	Load Roller Bracket (Pair) (Incl Item 20 & 25)			
20	42053-012	Bushing			
21	50000-011	Roll Pin			
22	44464	Pivot Axle			
23	65081-020	Bearing			
24	44506-001-D	Load Roller Assembly, Red Ultra Poly On Aluminum Hub W/ Bearings			
	44506-001	Load Roller Assembly, Black Ultra Poly On Steel Hub W/ Bearings			
	44506-002	Load Roller Assembly, Nylon W/ Bearings			
	44506-003	Load Roller Assembly, Steel W/ Bearings			
	GWK-PTH50-LW	Load Wheel Kit, Incl. (2) Load Roller Assy W/ Bearings, Axles and Fasteners			
	GWK-PTH50-CK	Complete Wheel Kit, Incl. 2 load roller assembly 2 steer wheel assemblies, axles and fasteners			
25	41139	Bushing			
26	44509	Load Roller Axle			
27	50000-017	Roll Pin			
28	44463	Lifting Link Pin			
29	50007-023	Bolt			
30	44461	Entry Roller			
31	50008-025	Nut			

# PALLET JACK PARTS

## Crown PTH50 Hydraulic Unit



## Crown PTH50 Hydraulic Unit

Item#	Part#	Description	Item#	Part#	Description
1	50000-012	Roll Pin	37	50000-039	Roll Pin
2	44521-012	Handle Assembly (Incl Item 1 - 17)	38	44499	Steer Wheel Axle
3	44537	Roller Axle	39	65081-020	Bearing
4	55084-001	Bushing	40	4495-001-HD	Steer Wheel Assembly, Red Ultra Poly On Aluminum Hub W/ Bearings
5	44536	Roller		44495-001-ST	Steer Wheel Assembly, Black Poly On Nylon Hub W/ Bearings
6	55084-003	Bushing		44495-002	Steer Wheel Assembly, Nylon W/ Bearings
7 A B	55001-007	Ball		44495-003	Steer Wheel Assembly, Steel W/ Bearings
8	41292	Spring		GWK-PTH50-CK	Complete Wheel Kit, Includes (2) Load Roller Assemblies 2 Steer Wheel Assemblies w/bearings, Axles and Fasteners
9	44600	Control Lever	41	50012-021	Snap Ring
10	44531	Barrel Nut	42	44437	Hub Cap (OEM Wheel Only)
11	44527	Control Rod		44437-1	Hub Cap (GPS Wheel Only)
12	44586	Insert Assembly	43 A B	41166	Bushing
13	79918	Spring	44 A B	54015-001	U-Cup
14	44534	Master Link	45	41165	Bushing
15	44533	Chain	46 A	50012-025	Snap Ring
16	44535	Chain Connector	47 A B	54001-008	Scraper
17	50005-002	Screw	48	41254	Magnet and Sleeve Assembly
KITS	44533-A	Chain Assembly (Incl Item 14 - 17)	49	44708	Ram Assembly (Incl Item 48)
KITS	44527-A	Rod and Chain Assembly (Incl Item 10 - 17)	50	55001-010	Ball
KITS	44532	Chain and Link Kit (Incl Item 14,15)	51 A B	54002-024	O-Ring
18 A	50000-070	Roll Pin	52	44455	Release Pin
19	44457	Pin	53 A B	44456	Spring
20	44519	Handle Axle	54 A B	54001-009	Scraper
21 A	44453	Piston	55 A	41181	Filler Plug
	44709	Piston and Cylinder Assembly	56	HU CR PTH-50	Rebuilt Hydraulic Unit - Exchange
22 A	50012-033	Snap Ring		44445-AM	Pump Assembly, New After-Market Replacement
23	44452	Washer		44648-AM	Seal Kit For 44445-AM
24	44570	Spring	KITS A	44648-SUPER	Super Seal Kit
25 A B	64074-005	Back-Up Ring	KITS B	44648	Complete Seal Kit
26 A B	54002-012	O-Ring			
27 A B	54015-005	U-Cup			
28	44454	Pump Cylinder			
29 A	50012-026	Snap Ring			
30 A B	41286	Tappet			
31 A B	50011-010	Washer			
32 A B	41289	Ball Housing			
33 A B	55001-002	Ball			
34 A B	41288	Spring			
35 A B	50011-020	Washer			
36 A	41301	Screw Plug			