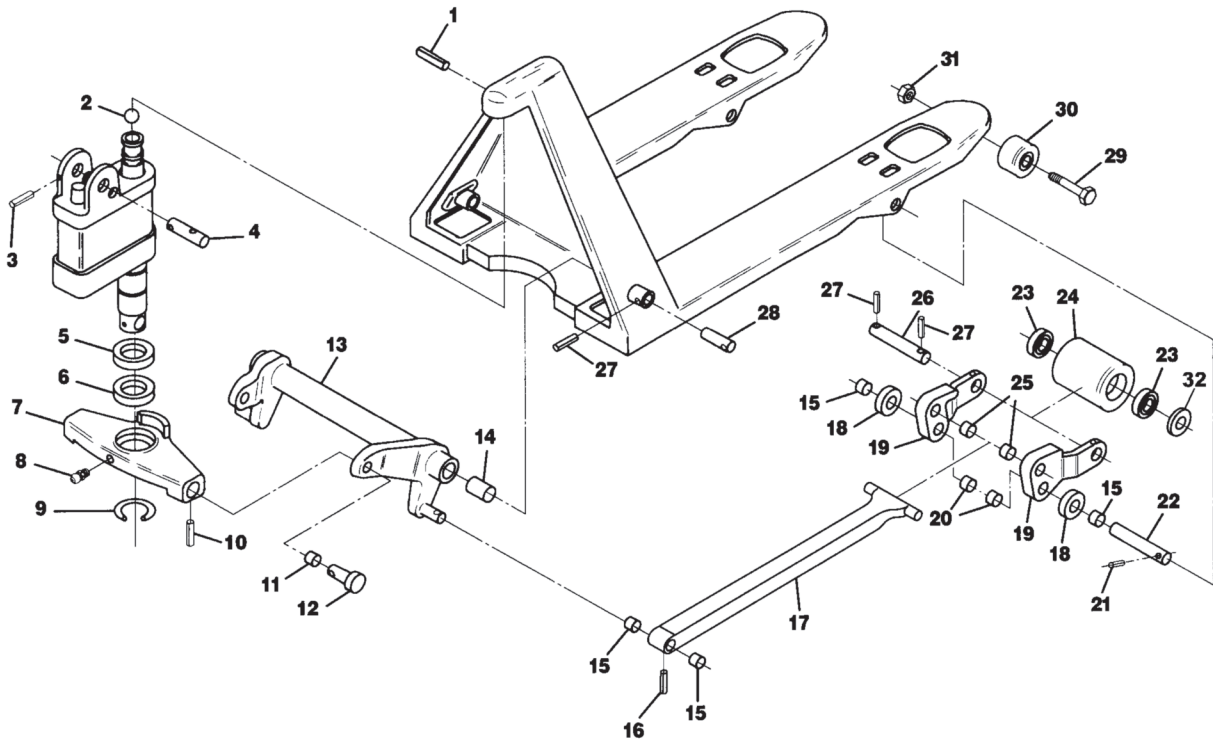


# PALLET JACK PARTS

## Crown Newer PTH50 Frame

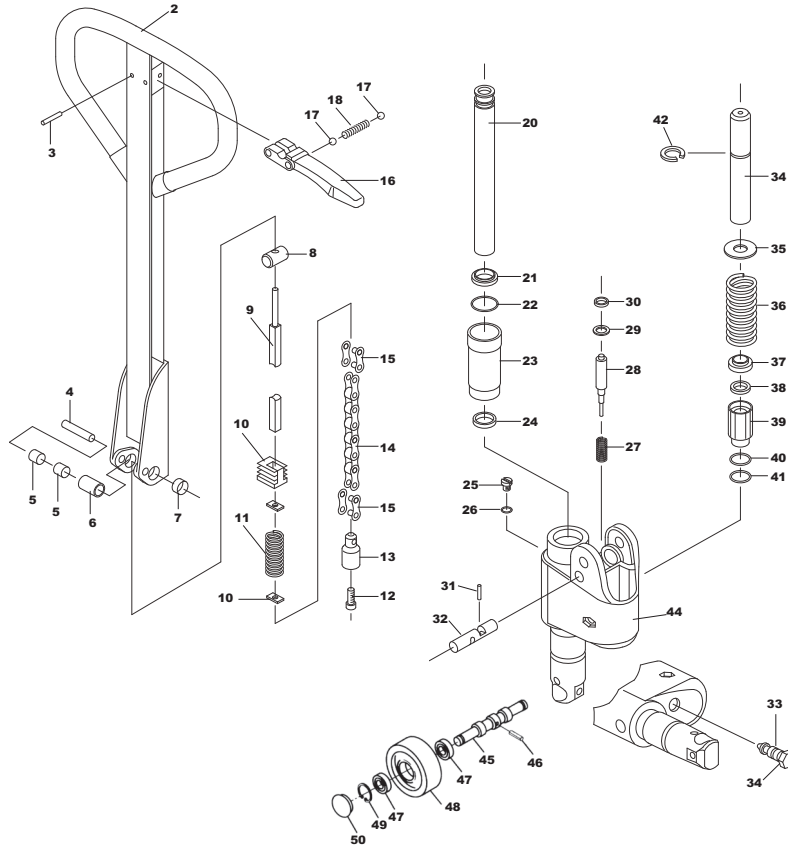


## Crown Newer PTH50 Frame

Item#	Part#	Description	Item#	Part#	Description
1	50000-014	Roll Pin			
2	55001-010	Ball			
3	50000-015	Roll Pin			
4	44519	Handle Axle			
5	44468	Washer			
6	55018-001	Traverse Bearing			
7	45671	Traverse			
8	54011-001	Lube Fitting			
9	50012-024	Snap Ring			
10	50000-010	Roll Pin			
11	41201	Bushing			
12	44467	Pin			
13	819177	Lifting Link, 27" Wide Jack			
14	55084-002	Bushing			
15	42053-011	Bushing			
16	50000-016	Roll Pin			
17	44488-006	Pushrod Assembly			
18	44777	Exit Roller			
19	44501	Load Roller Bracket ( Pair)			
20	42053-012	Bushing			
21	50000-011	Roll Pin			
22	45670	Pivot Axle			
23	55002-004	Bearing			
24	44506-001-D	Load Roller Assembly, Red Ultra Poly On Aluminum Hub W/ Bearings			
	44506-001	Load Roller Assembly, Black Ultra Poly On Steel Hub W/ Bearings			
	44506-002	Load Roller Assembly, Nylon W/ Bearings			
	44506-003	Load Roller Assembly, Steel W/ Bearings			
	GWK-PTH50-LW	Load Wheel Kit, Incl. (2) Load Roller Assy W/ Bearings, Axles and Fasteners			
	GWK-PTH50-CK	Complete Wheel Kit, Incl. (2) Load Roller Assy, (2) Steer Wheel Assy, Axles and Fasteners			
25	41139	Bushing			
26	45676	Axle			
27	50000-017	Roll Pin			
28	45669	Lift Link Pin			
29	50007-023	Bolt			
30	44461	Entry Roller			
31	50008-049	Nut			
32	44500-001	Load Wheel & Bracket Assembly			
33	44516	Washer			

# PALLET JACK PARTS

## Crown Newer PTH 50 Hydraulic Unit



## Crown Newer PTH 50 Hydraulic Unit

Item#	Part#	Description	Item#	Part#	Description
1	44521-012	Handle Assembly	42	50012-033	Snap Ring
2	81604	Handle Frame	43	816816	Pump Piston
3	50000-012	Roll Pin	44	816814-001	Pump Assembly
4	46235	Roller Axle	45	44499	Steer Wheel Axle
5	55084-001	Bushing	46	50000-039	Roll Pin
6	46236	Roller	47	065081-020	Bearing
7	55084-003	Bushing	48	44495-001-HD	Steer Wheel Assembly, Red Ultra Poly On Aluminum Hub W/ Bearings
8	44531	Barrel Nut		44495-001-ST	Steer Wheel Assembly, Black Poly On Nylon Hub W/ Bearings
9	44527	Control Rod		44495-002	Steer Wheel Assembly, Nylon W/ Bearings
10	44586	Insert		44495-003	Steer Wheel Assembly, Steel W/ Bearings
11	79918	Spring		GWK-PTH50-CK	Complete Wheel Kit, Incl (2) Load Roller Assy (2) Steer Wheel Assy, Axles and Fasteners
12	50005-002	Screw	49	50012-021	Snap Ring
13	44535	Chain Connector	50	44437	Hub Cap ( OEM Wheel Only)
14	46128	Chain Assembly		44437-1	Hub Cap ( GPS Wheel Only)
15	46127	Master Link	KITS A	44648	Seal Kit
16	44600	Release Lever			
17	55001-007	Ball			
18	41292	Spring			
20	46234	Ram			
21	A 54001-008	Scrapper			
22	A 50012-025	Snap Ring			
23	41165	Ram Cylinder			
24	A 54015-001	U-Cup			
25	41181	Filler Plug			
26	A 50011-010	Washer			
27	A 44456	Spring			
28	816819	Control Piston			
29	A 818263	O-Ring			
30	818261	Wiper			
31	A 50000-070	Roll Pin			
32	816818	Pin			
33	818252	Pump Cartridge			
34	A 819180	O-Ring			
35	44452	Washer			
36	44570	Spring			
37	A 54001-009	Scrapper			
38	A 54015-005	U-Cup			
39	816815	Pump Cylinder			
40	A 818262	Back-up Ring			
41 A	818260	O-Ring			