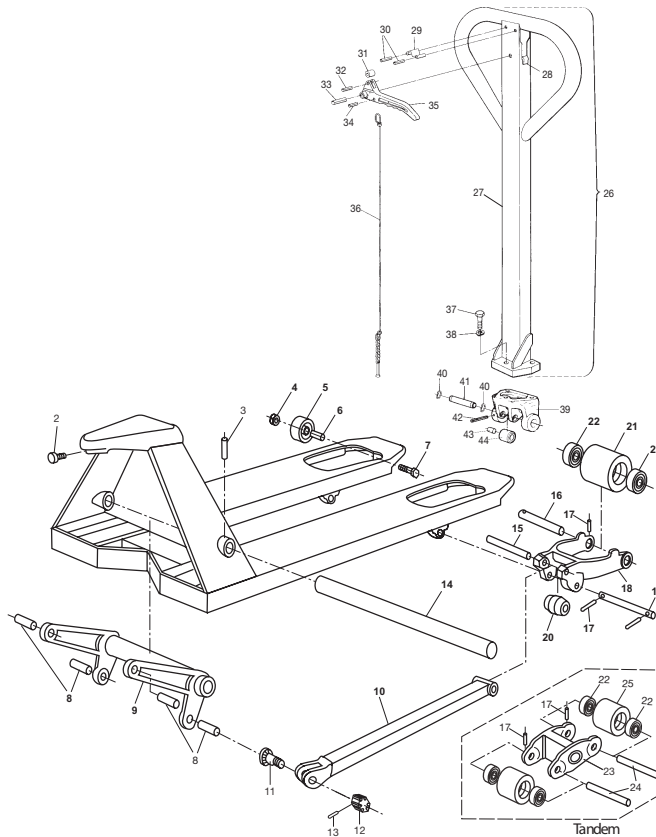


PALLET JACK PARTS

Hu-Lift HP25L Frame

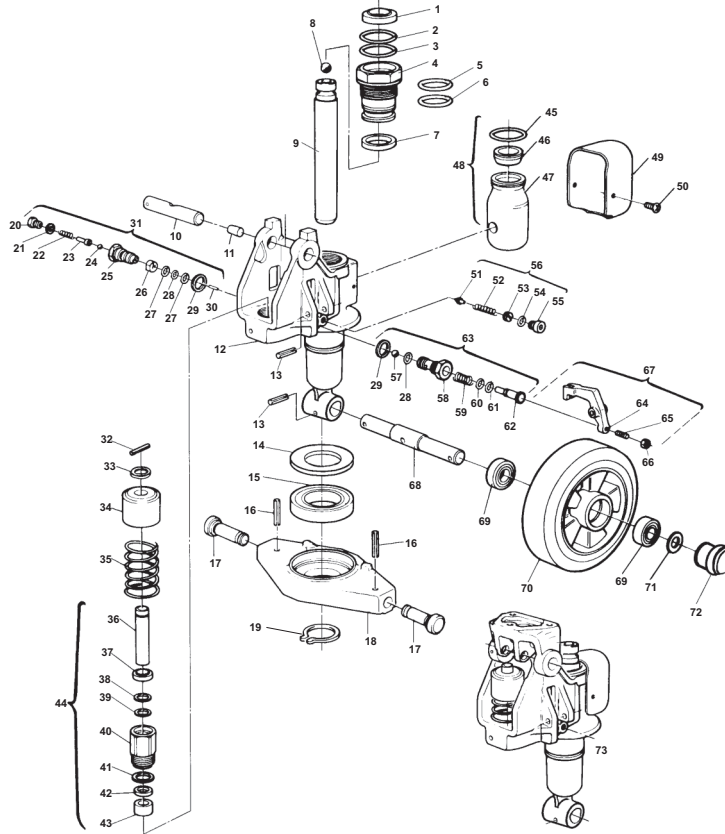


Hu-Lift HP25L Frame

Item#	Part#	Description	Item#	Part#	Description
2	F103	Hex Socket Screw	103-A		Bracket Assy
3	F104	Roll Pin	40	108	Snap Ring
4	F106	Nut	41	107	Shaft
5	F108	Entry Roller	42	106	Roll Pin
6	F109	Sleeve	43	105	Bushing
7	F111	Bolt	44	104	Steel Roller
8	F102	Bushing			
9	F101	Lifting Link Assembly			
10	F125	Push Rod			
11	F126	Eccentric Pin			
12	F123	Nut			
13	F124	Split Pin			
14	F105	Lifting Link Shaft			
15	F122	Push Rod Axle			
16	F121	Load Wheel Axle			
17	F112	Roll Pin			
18	F120	Load Roller Bracket (Single)			
19	F118	Axle			
20	F119	Roller			
21	F117B-A	Load Roller Assembly, Black Ultra Poly On Steel Hub W/ Bearings, 2-3/4" Dia.			
	F117A-A	Load Roller Assembly, Nylon W/ Bearings, 2-3/4" Dia.			
22	F115	Bearing			
23	F113	Load Roller Bracket (Tandem)			
24	F114	Load Roller Axle			
25	F116B-A	Load Roller Assy (Tandem) , Black Ultra Poly On Steel Hub W/ Bearings, 2.9" Dia.			
	F116A-A	Load Roller Assembly (Tandem), Nylon W/ Bearings, 2-3/4" Dia.			
26	H101-A	Handle Assembly, (Incl. Items 27 through 36)			
27	H101	Handle (See Item 26) see Item 26			
28	H108	Rubber Cushion			
29	H103	Handle Spring (Newer Version)			
30	H104	Roll Pin (Newer Version)			
31	H111	Nylon Roller			
32	H105	Roll Pin (Newer Version)			
33	H102	Roll Pin			
34	H112	Roll Pin			
35	H106	Control Lever			
36	H107	Rod and Chain			
37	H109	Handle Bolt			
38	H110	Lock Washer			
39	103	Handle Bracket			

PALLET JACK PARTS

Hu-Lift HP25L Hydraulic Unit



Hu-Lift HP25L Hydraulic Unit

Item#	Part#	Description	Item#	Part#	Description
1 A	156	Scraper	39 A	169	O-Ring
2	170	Retainer	40	148	Pump Cylinder
3 A	157	O-Ring	41 A	149	U-Cup
4	159H	Top Nut	42	150	Nylon Bushing
5 A	157-1	O-Ring	43 A	151	Washer
6 A	158H	O-Ring	44	146-A	Pump Piston Assembly
7 A	160H	U-Cup	45 A	161H	O-Ring
8	101	Ball	46	162H	Filler Plug
9	102	Ram	47	165H	Reservoir
10	109	Handle Pin	48	165H-A	Reservoir Assembly (Incl. 45,46,47 & Pint of Oil)
11	120	Bushing	49	163H	Cowling
12	122H	Pump Body		163H-A	Cowling Assembly (Incl. 49 & 50)
13	121	Roll Pin	50	164H	Screw
14	123	Dust Cover	51	134	Valve
15	124	Bearing	52	135	Spring
16	154	Roll Pin	53	136	Adjusting Screw
17	155	Shoulder Pin Set	54 A	137	O-Ring
18	153	Traverse	55	138	Screw
	153-A	Traverse Assembly, Incl. Item 15 & 18	56	138-A	Safety Valve Assembly
19	152	Snap Ring	57	129	Ball
20	110	Screw Plug	58	130	Release Valve Body
21 A	111	Washer	59	131	Spring
22	112	Spring	60 A	132	O-Ring
23	113	Spring Guide	61	167	Retainer
24	114	Ball	62	133	Release Pin
25	115	Valve Body	63	130-A	Plunger Assembly
26	116	Spring	64	139H	Release Lever
27	166	Retainer	65	140H	Adjusting Screw
28 A	117	O-Ring	66	141	Nut
29 A	118	Washer	67	139H-A	Activator (Incl. Items 64-66)
30	119	Valve Pin	68	125	Steer Wheel Axle
31	115-A	Valve Assembly	69	126	Bearing
32	142	Roll Pin	70	127-A-HD	Steer Wheel Assembly, Ultra Poly On Aluminum Hub W/ Bearings, 7" Dia.
33	143	Retaining Cover		127-A-ST	Steer Wheel Assembly, Poly On Nylon Hub W/ Bearings, 7" Dia.
34	144	Spring Cap		127-A-N	Steer Wheel Assembly, Nylon W/ Bearings, 7" Dia.
	144-A	Spring Cap Assy Incl. Item 34 & 35	71	128	Snap Ring
35	145	Spring	72	171	Dust Cover
36	146	Piston	73	100-AM	Hydraulic Unit, New After-Market Replacement
37 A	147	Scraper		100	Rebuilt Hydraulic Unit - Exchange
38	168	Retainer	KITS A	99	Seal Kit