

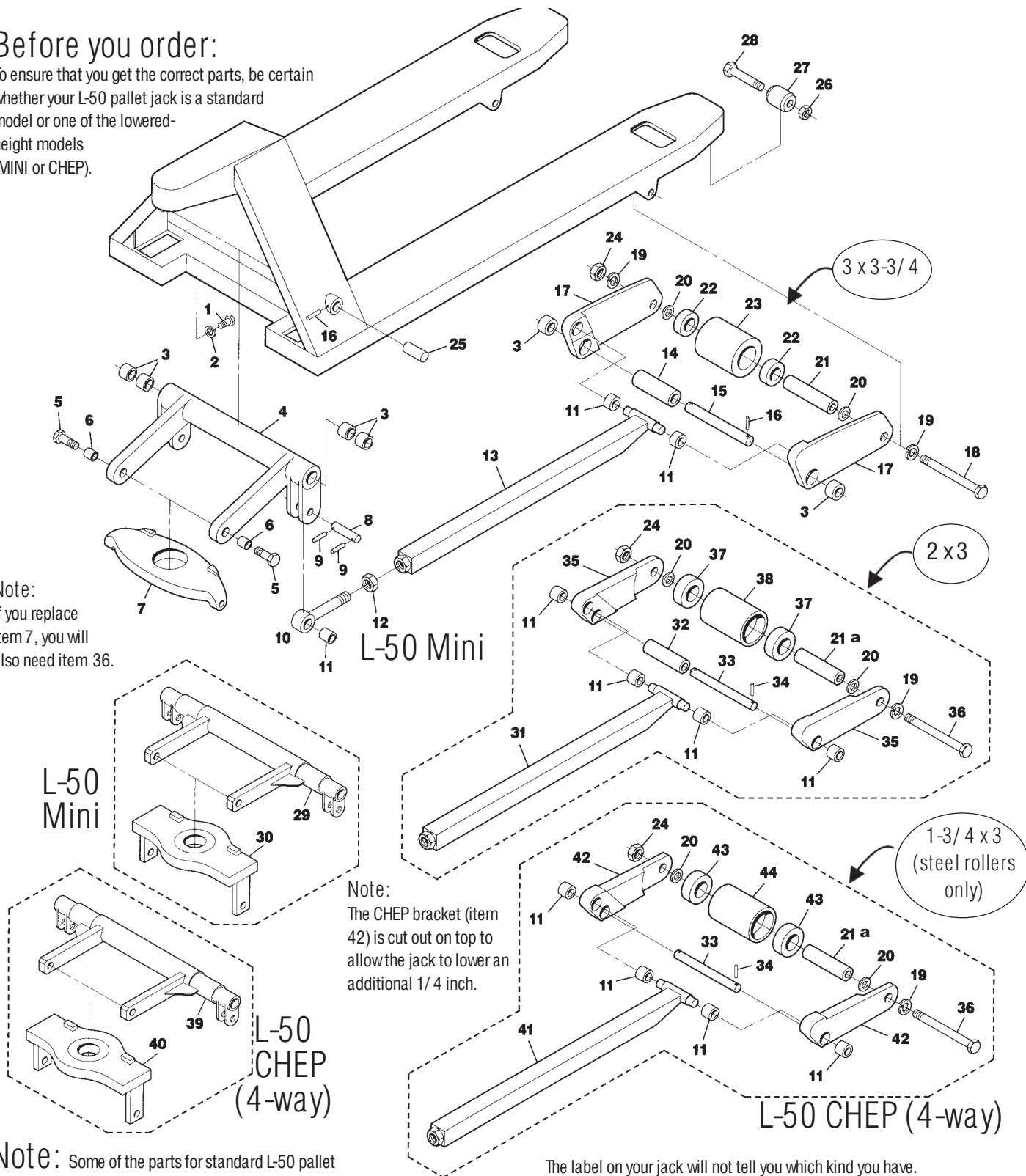
PALLET JACK PARTS

Lift-Rite (Big Joe) L-50 Frame

Before you order:

To ensure that you get the correct parts, be certain whether your L-50 pallet jack is a standard model or one of the lowered-height models (MINI or CHEP).

Note:
If you replace item 7, you will also need item 36.



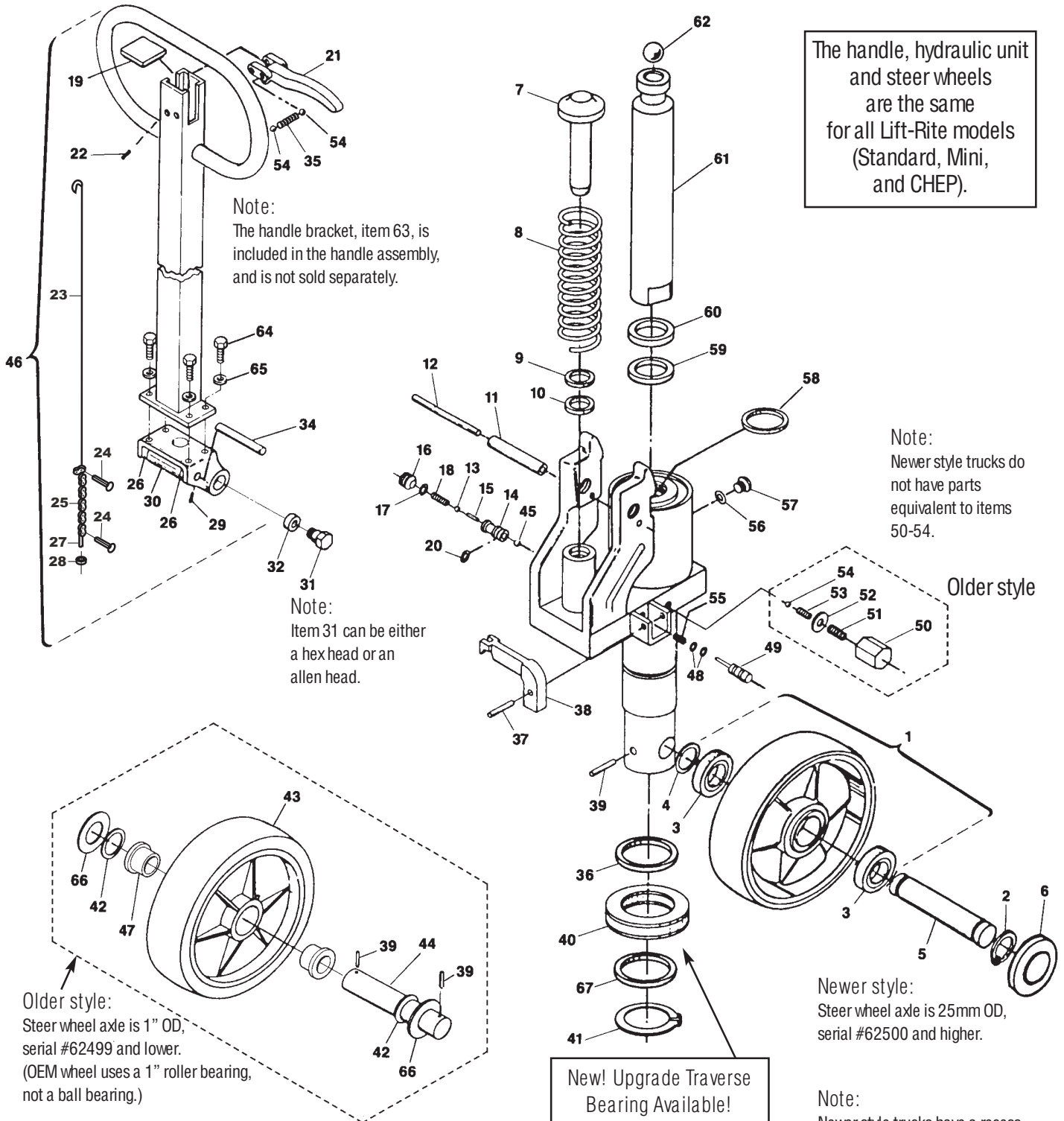
Note:
The CHEP bracket (item 42) is cut out on top to allow the jack to lower an additional 1/4 inch.

Note: Some of the parts for standard L-50 pallet jacks are different from those for the low-profile jacks, the L-50 Mini and the L-50 CHEP (also known as 4-way); and some of the parts for the Mini jacks are different from those for the CHEP jacks. These parts are not interchangeable.

The label on your jack will not tell you which kind you have. You must measure the load rollers. Load rollers on standard L-50 jacks are 3" in diameter, load rollers on L-50 Mini jacks are 2" in diameter, load rollers on L-50 CHEP (4-way) jacks are 1-3/4" in diameter. Measure the load rollers and make sure which kind of jack you have before ordering parts.

PALLET JACK PARTS

Lift-Rite (Big Joe) L-50 Hydraulic Unit



The handle, hydraulic unit and steer wheels are the same for all Lift-Rite models (Standard, Mini, and CHEP).

Note:
The handle bracket, item 63, is included in the handle assembly, and is not sold separately.

Note:
Newer style trucks do not have parts equivalent to items 50-54.

Note:
Item 31 can be either a hex head or an allen head.

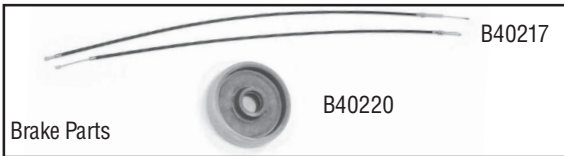
Older style

Older style:
Steer wheel axle is 1" OD, serial #62499 and lower. (OEM wheel uses a 1" roller bearing, not a ball bearing.)

Newer style:
Steer wheel axle is 25mm OD, serial #62500 and higher.

New! Upgrade Traverse Bearing Available!
Part #10234-HD, no spacer needed.
(For use with newer style jacks. It will not work on older jacks with a traverse thicker than 1".)

Note:
Newer style trucks have a recess on the top of the traverse which requires a spacer (item 36). Models with the older style traverse do not require this part.



PALLET JACK PARTS

Lift-Rite (Big Joe) L-50 Frame

Item#	Part#	Description	Item#	Part#	Description
1	10232	Bolt	23	10210-S-A	Load Roller Assembly, Steel W/ Bearings 3" Dia., (Incl. Items 20, 21, & 22)
2	10232-A	Lock Washer		GWK-L50-LW	Load Wheel Kit, Incl. (2) Load Roller Assy W/Bearings, Axles and Fasteners, 3" Dia.
3	10203	Bushing	24	10218 Nut	\$0.50
4	10201	Lifting Link, 20-1/2" Wide Jack Special Order	25	10204	Lifting Link Pin
	10202	Lifting Link, 27" Wide Jack	26	10223	Nut (Older Style)
5	10275	Shoulder Bolt (Hex Head)	27	10221	Entry Roller, 1-7/16" Diameter (Older Style, Standard and Mini Only)
6	10203	Bushing		10281	Entry Roller, 1-15/16" Diameter (Newer Style, Standard and Mini Only)
7	10231	Traverse Special Order	28	10222	Bolt (Older Style)
8	10227	Pin		10285	Nut, Bolt and Sleeve Assembly (Newer Style)
9	10228	Roll Pin	29	10202-M	Lifting Link, 27" Wide Jack (L-50 Mini) Special Order
10	10226	Eye Bolt (Fine Thread with Bushings)	30	10231-M	Traverse (L-50 Mini) Special Order
	10226-C	Eye Bolt (Coarse Thread with Bushings)	31	10224-36-M	Push Rod, 36" Forks (Fine Thread) Special Order
11	10206	Bushing		10224-42-M	Push Rod, 42" Forks (Fine Thread) Special Order
12	10224-A	Nut (Fine Thread)		10224-48-M	Push Rod, 48" Forks (Fine Thread) Special Order
	10224-A-C	Nut (Coarse Thread)	32	10220-M	Exit Roller
13	10224-36	Push Rod, 36" Forks (Fine Thread) Special Order	33	10219-M	Pivot Axle
	10224-42	Push Rod, 42" Forks (Fine Thread) Special Order	34	10269	Roll Pin
	10224-48	Push Rod, 48" Forks (Fine Thread)	35	10212-M	Load Roller Brackets (Pair)
14	10220	Exit Roller	36	10215-M	Load Roller Axle Assy
15	10219	Pivot Axle	37	10214-M-P	Bearing (Use with Poly Load Roller)
16	10209	Roll Pin		10214-M-S	Bearing (Use with Steel Load Roller)
17	10212-LR	Load Roller Brackets (Pair)	38	10210-M-P-A	Load Roller Assembly, Poly On Steel Hub W/ Bearings, 2" Dia.
18	10215	Load Roller Axle Assy		10210-M-S-A	Load Roller Assembly, Steel W/ Bearings, 2" Dia.
19	10217	Lock Washer	39	PF-10203	Lifting Link, 33" Wide Jack Special Order
20	10216	Washer	40	10231-4-M	Traverse, 33" Wide Jack Special Order
21		Frame Sleeve, 4" Not Sold Separately	41	C-10224-48	Push Rod, 48" Forks (Fine Thread) Special Order
22	10214	Bearing	42	C-10212-LR	Load Roller Brackets (Pair, with Bushings)
23	10210-P-A-D	Load Roller Assembly, Red Ultra Poly On Aluminum Hub W/ Bearings, 3" Dia., (Incl. Items 2)	43	C-10214	Bearing
	10210-P-A	Load Roller Assembly, Black Ultra Poly On Steel Hub W/ Bearings, 3" Dia., (Incl. Items 2)	44	C-10210-A	Load Roller Assembly, Steel W/ Bearings, 1- 3/4" Dia.
	10210-N-A	Load Roller Assembly, Nylon W/ Bearings 3" Dia., (Incl. Items 20, 21, & 22)			

Lift-Rite (Big Joe) L-50 Hydraulic Unit

Item#	Part#	Description	Item#	Part#	Description
1	10236-B-A-HD	Steer Wheel Assy, Red Ultra Poly On Alum. Hub W/Bearings, 25mm Bearing ID		10234-HD	Heavy Duty Thrust Bearing (Newer Style)
	10236-B-A-ST	Steer Wheel Assembly, Poly On Nylon Hub W/ Bearings, 25mm Bearing ID	41	10235	Snap Ring
	10236-B-N-A	Steer Wheel Assembly, Nylon W/ Bearings, 25mm Bearing ID	42	10239	Washer
	10236-B-S-A	Steer Wheel Assembly, Steel W/ Bearings, 25mm Bearing ID	43	10236-R-A-HD	Steer Wheel Assy, Red Ultra Poly On Alum. Hub W/Bearings, 1" Bearing ID
	GWK-L50-CK	Comp. Wheel Kit, Incl (2) LR Assy, (2) Assy W/ Bearings, Axles and Fasteners		10236-R-A-ST	Steer Wheel Assembly, Black Poly On Nylon Hub W/ Bearings, 1" Bearing ID
2	10237	Snap Ring		10236-R-N-A	Steer Wheel Assembly, Nylon W/ Bearings, 1" Bearing ID
3	10238-B	Ball Bearing (OEM Wheel Only)	44	10240	Steer Wheel Axle, 8" Length, 1" OD (for Roller Bearing)
4	10239	Washer	45 A B C	10261	Ball
5	10240-E	Steer Wheel Axle, 25mm OD	45 A B C	10261-A	Ball
6	10236-C	Hub Cap	46	10276-A	Handle Assembly
7	10250	Pump Piston Assembly	47	10238-A	Flanged Bearing
8	10253	Spring		10238-R	Roller Bearing (For OEM Wheel Only)
9 A B	10251	Scraper	48 A B	10259	O-Ring
10 A B	10252	U-Cup	49 A C	10260	Release Pin
11	10277-B	Sleeve	50	10257	Nut
12	10277-A	Roll Pin	51	10257-B	Screw
13 A B C	10261	Ball	52 A	10257-A	Washer
14 A C	10262	Valve	53 A C	10255	Spring
15 A C	10263	Roll Pin	54 A B C	10254	Ball
16 A C	10266	Screw Plug	55 A C	10258	Spring
17 A B	10265	O-Ring	56 A B	10259-A	Washer
18 A C	10264	Spring	57	10267	Filler Plug
19	10274-E	Handle Cap	58 A B	10246	U-Cup
20 A B	10256	O-Ring	59 A B	10249	U-Cup
21	10274-B	Control Lever	60 A B	10245	Scraper
22	10274-D	Roll Pin	61	10243	Ram *49.00
23	10274-A	Control Rod	62	10244	Ball
24	10273	Pin	64	10274-F	Bolt
25	10272	Chain	65	10274-G	Lock Washer
26	10206	Bushing	66	10241	Washer
27	10270	Lower Control Rod	67	10234-A	Washer
28	10271	Adjusting Nut	KITS A	10278-SUPER	Super Seal Kit
29	10274-S	Roll Pin	KITS B	10278	Seal Kit
30	10274-R	Roller	KITS C	10279	Seal Kit (Ball and Valve Kit)
31	10275	Shoulder Bolt (Hex Head)		HU LF L50	Rebuilt Hydraulic Unit - Exchange
	10275-A	Shoulder Bolt (Allen Head)		B40217	Brake Cable Assembly
32	10203	Bushing		B40220	Brake Wheel
	10203-A	Bushing			
34	10274-P	Pin			
35	10274-C	Spring			
36	10233	Spacer			
37	10269	Roll Pin			
38	10268	Release Lever			
39	10242	Roll Pin			
40	10234	Thrust Bearing			