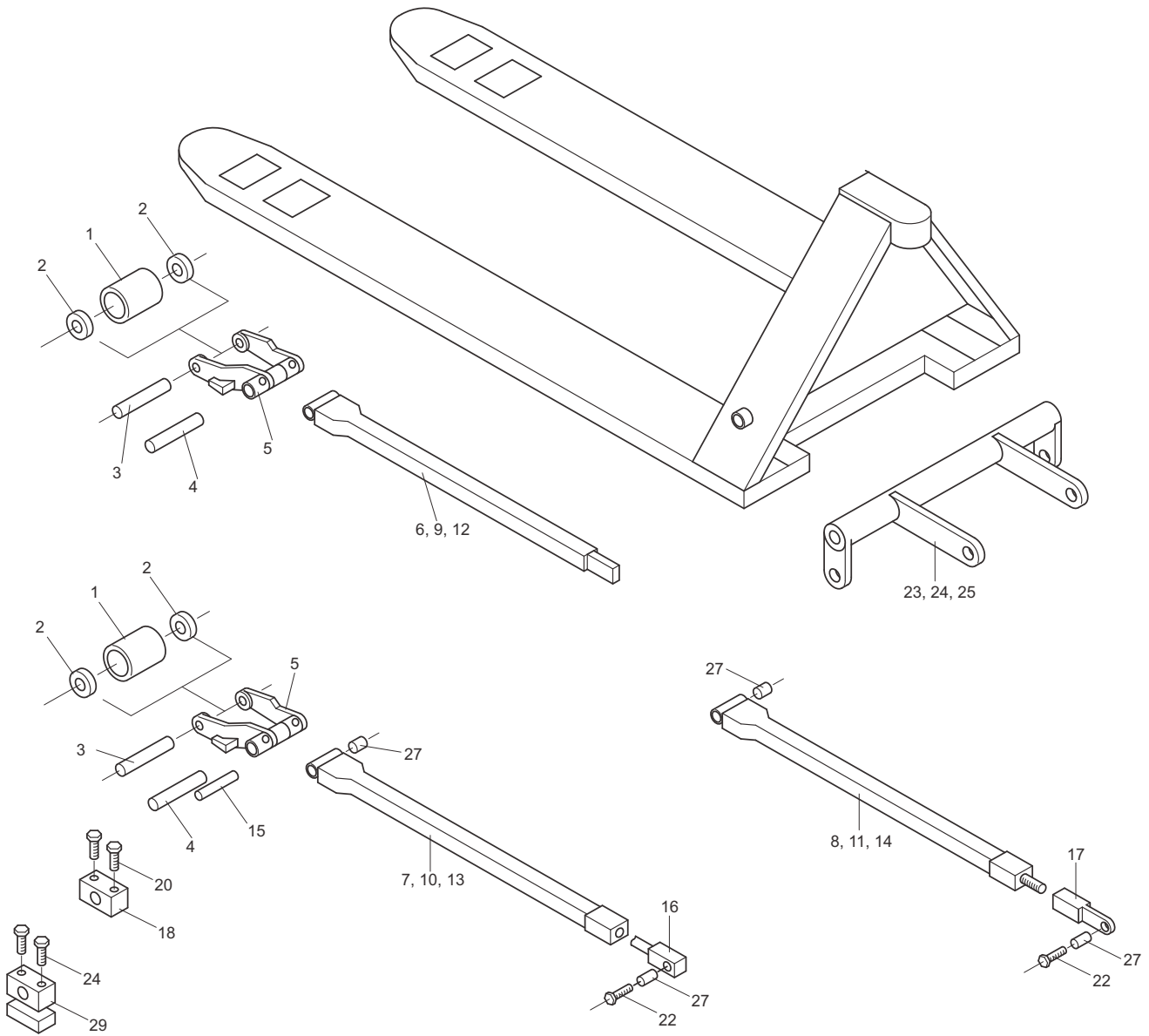


# PALLET JACK PARTS

## Mobile ML45 Mini & Miney Frame



## Mobile ML45 Mini & Miney Frame

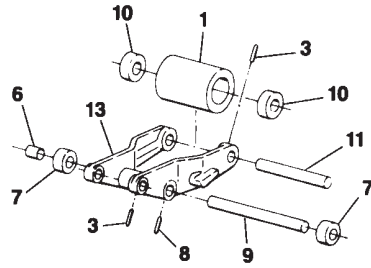
Item#	Part#	Description	Item#	Part#	Description
1	M200	Load Roller, Steel	20	M551	Screw
2	M210	Bearing	21	M551-1	Screw
3	M211	Axle	22	M605	Pin
4	M214	Hanger Axle	23	M650	Bell Crank, 20.5" Wide Jack
5	M400	Hanger Special Order	24	M651	Bell Crank, 27" Wide Jack
6	M500	Push Rod, 36" Special Order	25	M652	Bell Crank, 32" Wide Jack
7	M500-1	MK2 Push Rod, 36" Forks Special Order	27	606	Bushing
8	M500-2	MK3 Push Rod, 36" Forks Special Order			
9	M501	Push Rod, 42" Forks Special Order			
10	M501-1	MK2 Push Rod, 42" Forks Special Order			
11	M501-2	MK3 Push Rod, 42" Forks Special Order			
12	M502	Push Rod, 48" Forks Special Order			
13	M502-1	MK2 Push Rod, 48" Forks Special Order			
14	M502-2	MK3 Push Rod, 48" Forks Special Order			
15	M515	Pin			
16	M520	Clevis			
17	M521	Clevis			
18	M550	Pillar Block			
19	M550-1	Pillar Block			

# PALLET JACK PARTS

## Mobile ML55 Frame

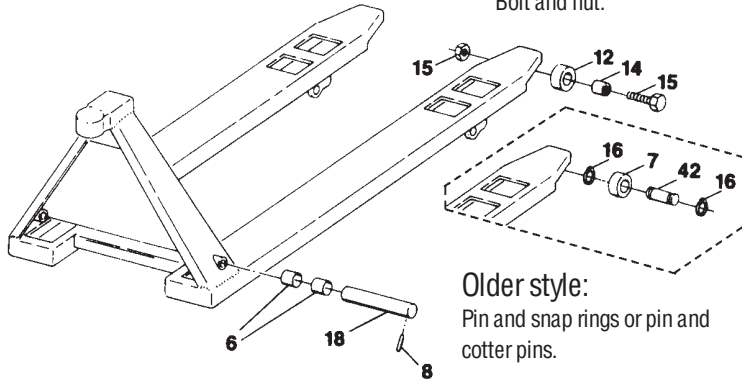
### Before you order:

The manufacturer has made several random changes that require you to look very closely at these drawings and your pallet jack. Check our notes to identify the parts you need.

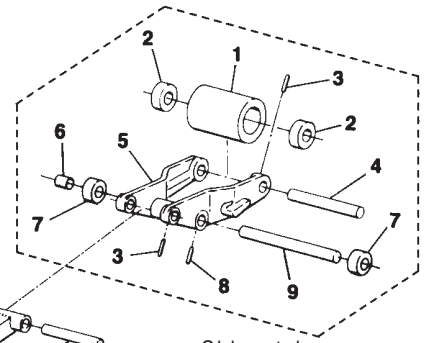


Newer style:  
Bearing ID is  
20mm = .787"

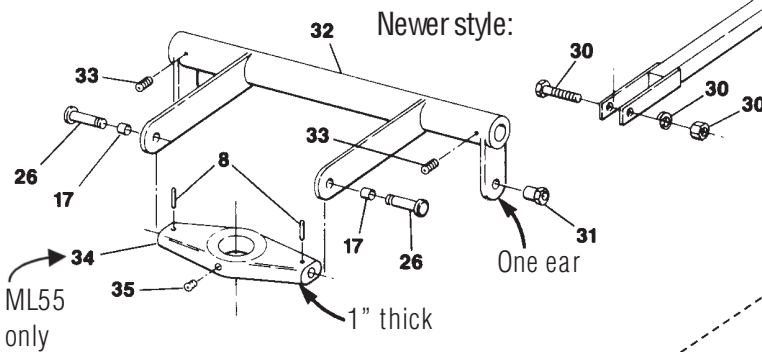
Newer style:  
Bolt and nut.



Older style:  
Pin and snap rings or pin and  
cotter pins.

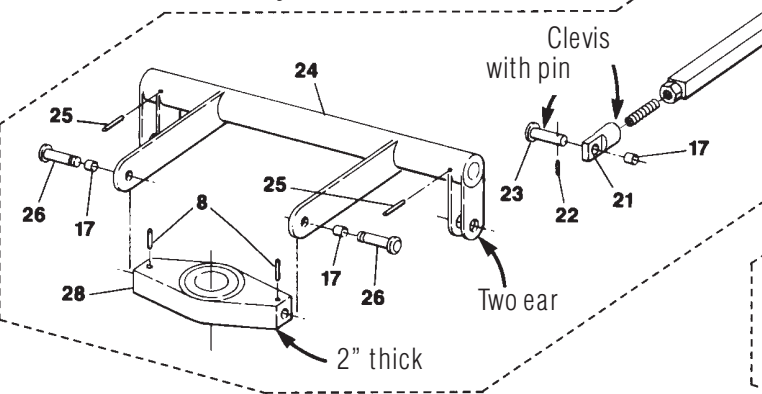


Older style:  
Bearing ID is 3/4" = .750"



ML55  
only

Older style:



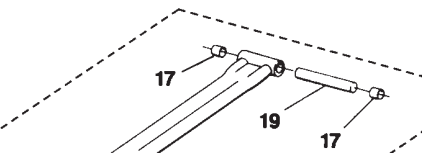
Clevis  
with pin

Two ear

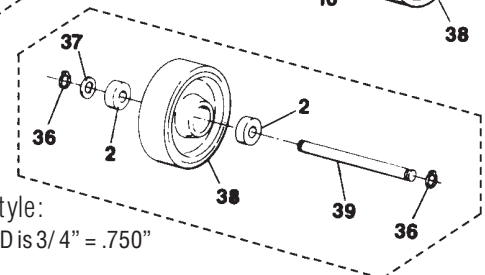
2" thick

### Note:

The load roller bracket, item 5, is no longer available from the OEM. Replace item 5 with item 13 (20mm bearing ID).



Newer style:  
Bearing ID is  
20mm = .787"



Older style:  
Bearing ID is 3/4" = .750"



# PALLET JACK PARTS

## Mobile ML55 Frame

Item#	Part#	Description	Item#	Part#	Description
1	203/210-A-D	Load Roller Assembly, Red Ultra Poly On Aluminum Hub W/ Bearings, 3/4" ID Bearing	501		Push Rod, 42" Forks Special Order
	203/210-A	Load Roller Assembly, Black Ultra Poly On Steel Hub W/ Bearings, 3/4" ID Bearing	502		Push Rod, 48" Forks
	204/210-A	Load Roller Assembly, Nylon W/ Bearings, 3/4" ID Bearing	21	520	Clevis
	200/210-A	Load Roller Assembly, Steel W/ Bearings, 3/4" ID Bearing	22	404	Roll Pin
	203/210-1-A	Load Roller Assembly, Red Ultra Poly On Aluminum Hub W/ Bearings, 20mm ID Bearings	23	512	Pin
	203/210-1-A-S	Load Roller Assembly, Black Ultra Poly On Steel Hub W/ Bearings, 20mm ID Bearings	24	650	Lifting Link, 20-1/2" Wide Jack Special Order
	204/210-1-A	Load Roller Assembly, Nylon W/ Bearings, 20 mm ID Bearing	651		Lifting Link, 27" Wide Jack Special Order
	200/210-1-A	Load Roller Assembly, Steel W/ Bearings, 20 mm ID Bearing	25	612	Roll Pin
	GWK-ML55-LW	Load Wheel Kit, Incl. (2) Load Roller Assy W/ Bearings, Axles and Fasteners	26	605	Shoulder Pin
	203M-A	Load Roller Assembly, Black Ultra Poly On Steel Hub W/ Bearings, 2" Dia.	28	2009	Traverse
	M200-S-A	Load Roller Assembly, Steel W/ Bearings, 2" Diameter Bearing, 3/4" ID	29	505	Push Rod, 48" Forks (Newer Style)
2	210	Bearing, 3/4" ID	30	526	Bolt, Nut and Washer
3	404	Roll Pin	31	525	Eccentric
4	211	Load Roller Axle	32	655	Lifting Link, 20-1/2" Wide Jack Special Order
5	400	Load Roller Bracket, N/A Replace W/ Item 13	656		Lifting Link, 27" Wide Jack Special Order
6	610	Bushing	33	2053	Set Screw
7	402	Entry or Exit Roller	34	657	Traverse ( ML 55 Only) Special Order
8	609	Roll Pin	35	658	Grease Fitting
9	214	Pivot Axle	36	2050	Snap Ring
10	210-1	Bearing	37	103	Washer
11	211-1	Load Roller Axle	38	101/210-A-HD	Steer Wheel Assembly, Red Ultra Poly On Aluminum Hub W/ Bearings, 3/4" ID Bearing
12	300	Entry Roller		101/210-A-ST	Steer Wheel Assembly, Poly On Nylon Hub W/ Bearings, 3/4" ID Bearing
13	400-1	Load Roller Bracket (Newer Style)		100/210-A	Steer Wheel Assembly, Steel W/ Bearings, 3/4" ID Bearing
14	311	Bushing		101/210-1-A	Steer Wheel Assembly, Red Ultra Poly On Aluminum Hub W/ Bearings, 20mm ID Bearings
15	310	Bolt and Nut		101/210-1-A	Steer Wheel Assembly, Poly On Nylon Hub W/ Bearings, 20mm ID Bearings
16	2050	Snap Ring		100/210-1-A	Steer Wheel Assembly, Steel W/ Bearings, 20 mm ID Bearing
17	303	Cotter Pin		GWK-ML55-CK	Complete Wheel Kit, Incl. (2) Load Rollers, (2) Steel Wheels W/ Bearings, Axles and Fasteners
18	606	Bushing	39	104	Steer Wheel Axle, 3/4" Diameter
19	515	Push Rod Axle	40	103-1	Washer
20	500	Push Rod, 36" Forks Special Order	41	104-1	Steer Wheel Axle, 20mm Diameter
			42	302	Pin

## Mobile ML55, ML45 Mini & Miney Hydraulic Unit

Item#	Part#	Description	Item#	Part#	Description
1	3022-1	Handle Assembly (Newer Style)	42	HU MO ML55	Rebuilt Hydraulic Unit, Exchange
2	2037	Roll Pin	43	2053	Set Screw
3	2034	Handle Bolt	44	2010	Traverse Bearing
4	2035	Bushing	45	2008	Snap Ring
5	2034-1	Handle Pin	46	3016	Chain Connector Pin
6	606	Bushing	47	2031	Roll Pin
7	3027	Snap Ring	48	2026	Adjusting Screw
8 A	3004	Screw Plug	49	2025	Nut
9 A B	3003	O-Ring	50	3015	Release Lever
10 A B	2023	Spring	51	3014	Chain Connector
11 A B	2022	Ball	52	303	Cotter Pin
12 A B	3002	Roll Pin	53	3017	Chain
13 A	3000	Valve	54	3018-1	Control Rod
14 A B	3001	O-Ring	55	1996	Plate
15	3031	Snap Ring	56	3019	Piston, 7/8" OD (Older Style)
16	2050	Snap Ring		3075	Piston, 3/4" OD (Newer Style)
17	2051	Washer	57 A B	2017	Scraper, 7/8" ID (Older Style)
18	2052	Spring Cap	A B	3077	Scraper, 3/4" ID (Newer Style)
19	3019	Piston, 7/8" OD (Older Style)	58 A B	3020-1	U-Cup, 7/8" ID (Older Style)
20 A B	2017	Scraper, 7/8" ID (Older Style)	A B	3076	U-Cup, 3/4" ID (Newer Style)
21 A B	2015	O-Ring	KITS A	3025-SUPER	Super Seal Kit
22 A B	3020	Quad Ring	KITS B	3025	Seal Kit
23	3021	Spring		HU MO ML55	Rebuilt Hydraulic Unit - Exchange
24	1997	Ball			
25	1998	Snap Ring			
26	1999	Bearing			
27	2047	Snap Ring			
28 A B	2002	O-Ring			
29	2003	Bushing			
30 A B	2004	O-Ring			
31	2000C	Ram (Universal Older and Newer)			
32	1995	Snap Ring			
33	1993	Bushing 1-1/2" (Older Style)			
	1993-1	Bushing 1/2" (Newer Style)			
34 A B	2007	U-Cup			
35 A B	1994	Scraper			
36	2036	Nut			
37	2005	Filler Plug			
38 A B	2006	O-Ring			
39 A B	2028	Spring			
40	2029	Release Pin			
41 A B	2030	O-Ring			