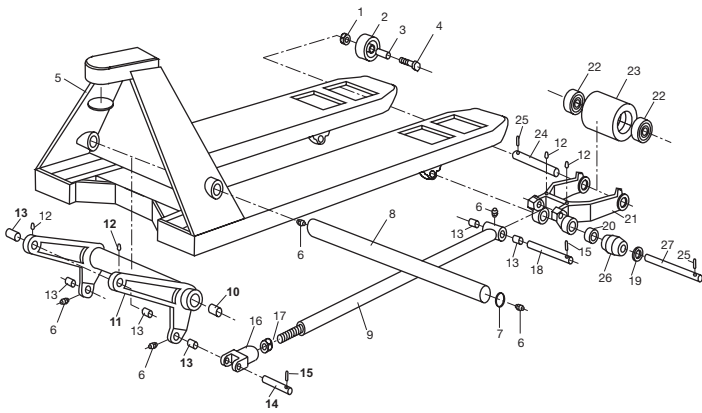
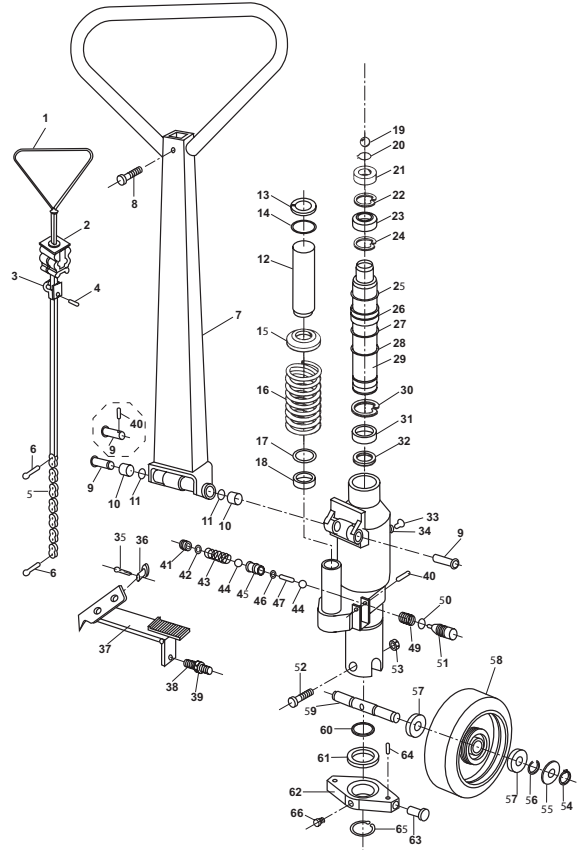


PALLET JACK PARTS

Mobile MLX55 Frame



Mobile MLX55 Hydraulic Unit



Mobile MLX55 Frame

Item#	Part#	Description	Item#	Part#	Description	Item#	Part#	Description
1	120X405	Nut	12	120X658	Oiler Fitting	23	GWK-MLX55-LW	Load Wheel Kit, Incl. (2) Load Roller Assemblies W/ Bearings, Axles and Fasteners
2	120X402	Entry Roller	13	120X606	Bushing	24	120X211	Load Wheel Axle
3	120X311	Sleeve	14	120X526	Pivot Pin	25	120X608	Roll Pin
4	120X310	Bolt	15	120X607	Roll Pin	26	120X407	Exit Roller
5	12X1996	Spacer Plate	16	120X520	Clevis	27	120X214	Bracket Axle
6	120X659	Grease Fitting (Threaded)	17	120X521	Nut			
7	120X613	Retaining Ring	18	120X515	Push Rod Pin			
8	120X618	Bell Crank Shaft	19	120X614	Exit Roller			
9	120X502	Push Rod, 32" Forks Special Order	20	120X615	Bushing			
	120X503	Push Rod, 36" Forks Special Order	21	120X400	Load Roller Bracket			
	120X504	Push Rod, 42" Forks Special Order	22	120X210	Bearing			
	120X505	Push Rod, 48" Forks	23	120X205-A-D	Load Roller Assembly, Red Ultra Poly On Aluminum Hub W/ Bearings			
10	120X616	Bushing		120X205-A	Load Roller Assembly, Black Ultra Poly On Steel Hub W/ Bearings			
11	120X655	Bell Crank, 20-1/2" Fork Width Special Order						
	120X656	Bell Crank, 27" Fork Width						

Mobile MLX55 Hydraulic Unit

Item#	Part#	Description	Item#	Part#	Description	Item#	Part#	Description
1	12X3018	Control Rod	20	12X1998	Locking Ring	40	12X2038	Roll Pin
2	12X3040	Control Box	21	12X1999	Bearing	41	12X3004	Screw Plug
3	12X3041	Slide Rest	22	12X3031	Locking Ring	42 A	12X3003	O-Ring
4	12X3042	Roll Pin	23	12X2056	Dust Cover	43 A	12X2023	Spring
5	12X3017	Chain	24	12X2047	Locking Ring	44 A	12X2022	Ball Valve
6	120X303	Cotter Pin	25 A	12X1994	Wiper	45	12X3000	Valve Cartridge
7	12X3022	Handle Assembly, Complete	26	12X2003	Bearing	46 A	12X3001	O-Ring
8	12X3011	Screw	27 A	12X2004	Seal	47 A	12X3002	Pin
		Handle Pin	28 A	12X2002	Seal	49 A	12X2028	Spring
9	12X2034	(One Each of Old and New Style)	29	12X2000	Lift Piston	50 A	12X2030	O-Ring
10	120X606	Bushing	30	12X1995	Locking Ring	51	12X2029	Control Pin
11	12X3027	Locking Ring	31	12X1993	Bushing	52	12X2053	Bolt
12	12X3075	Pump Piston	32 A	12X2007	U-Cup	53	12X2054	Nut
13	12X2050	Locking Ring	33	12X2005	Filler Screw	54	12X2050	Locking Ring
14	12X2051	Washer	34 A	12X2006	O-Ring	55	120X103	Washer
15	12X2052	Cover	35	12X3014	Screw	56	120X110	Half Round Locking Ring
16	12X3021	Spring	36	12X3016	Connecting Pin	57	120X210	Bearing
17 A	12X3077	Wiper	37	12X3015	Foot Control Assembly	58	120X105-A-HD	Steer Wheel Assembly Red Ultra Poly On Aluminum Hub W/ Bearings
18 A	12X3076	U-Cup	38	12X2026	Adjusting Screw			
19	12X1997	Ball	39	12X2025	Lock Nut			
						58	120X105-A-ST	Steer Wheel Assembly Poly On Nylon W/ Bearings Complete Wheel Kit Incl. 2 load rollers, 2 steer wheels w/bearings, axles and fasteners
						59	120X104	Steer Wheel Axle
						60	12X2011	Spacer
						61	120X2010	Thrust Bearing
						62	120X657	Thrust Plate *\$59.00
						63	120X605	Pivot Pin
						64	120X607	Roll Pin
						65	12X2008	Locking Ring
						66	120X659	Grease Fitting (Threaded)
						KITS A	12X3025	Seal Kit
								HU MO MLX55 Rebuilt Hydraulic Unit - exchange