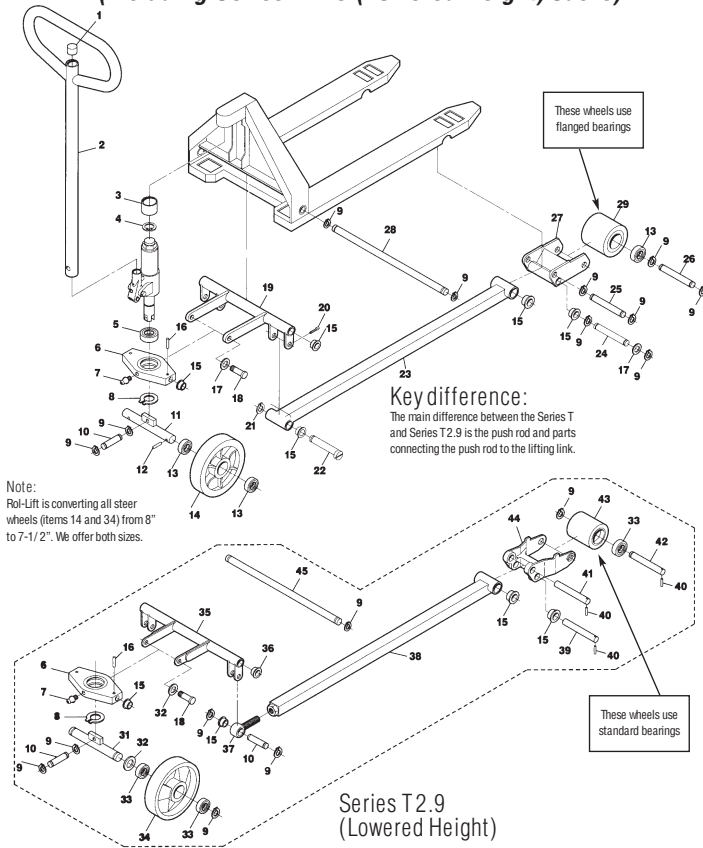


# PALLET JACK PARTS

## Rol-Lift Series T Frame (Including Series T 2.9 (Lowered Height) Jacks)

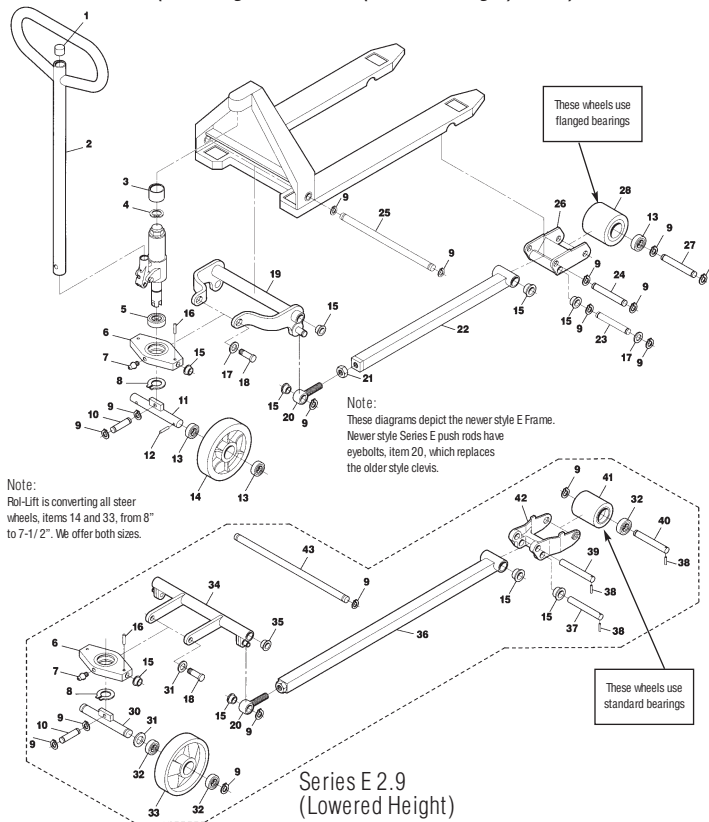


## Rol-Lift Series T Frame (Including Series T 2.9 (Lowered Height) Jacks)

Item#	Part#	Description	Item#	Part#	Description
1	3-27137	Handle Plug			Aluminum Hub W/ 4 Flanged Bearings, 6500# Capacity
2	7-60017	Handle Frame (Foot Control Models)			Load Roller Assembly, Red Ultra Poly On
3	4-00103	Bushing Weldment		RL-31-D	Load Roller Assembly, Red Ultra Poly On Aluminum Hub W/ Bearings, 3-1/4" Dia., Flanged Bearings
4	3-11005	Snap Ring		RL-31-N	Load Roller Assembly, Nylon W/ Flanged Bearings, 3-1/4" Dia.
5	3-70001	Traverse Bearing		RL-31-S	Load Roller Assembly, Steel W/ Flanged Bearings, 3-1/4" Dia.
6	4-00058	Traverse		RL-31-3	Load Roller Assembly, Red Ultra Poly On Aluminum Hub W/ Bearings, 3" Dia., Flanged Bearings
7	1-20002	Grease Fitting		WHL-5010-EPTUM	Load Roller Assembly, Nylon W/ Flanged Bearings, 3" Dia.
8	3-11002	Snap Ring		RL-31-S-3	Load Roller Assembly, Steel W/ Flanged Bearings, 3" Dia.
9	3-11003	Snap Ring	31	KIT-5090-TPTUM	Steer Wheel Axle Assembly
	3-11036	Snap Ring	32	3-10203	Washer
10	KIT-5144-TPTUM	Pin with Snap Rings	33	BRG-5000-TPTUM	Bearing
11	7-60021	Steer Wheel Axle	34	WHL-5012-TPTUM	Steer Wheel Assembly, Poly On Nylon Hub W/ Bearings 7-1/2" Dia., Flanged Bearings
12	3-25801-06	Roll Pin	35	LVB-5004-TPTUM	Lifting Link, 27" Wide Jack
13	3-70002	Bearing (Flanged)	36	BSH-5001-TPTUM	Bushing
	T-22-WA	Bearing (Wet Application)	37	PHR-5010-TPTUM	Eye Bolt
14	RL-32-HD	Steer Wheel Assembly, Red Ultra Poly On Aluminum Hub W/ Bearings, 8" Dia., Flanged Bearings	38	PHR-5004-TPTUM	Push Rod, 48" Forks
	RL-32-ST	Steer Wheel Assembly, Poly On Nylon Hub W/ Bearings, 8" Dia., Flanged Bearings	39	PNB-5025-TPTUM	Pivot Axle, 7" Wide Forks
	RL-32-N	Steer Wheel Assembly, Nylon W/ Flanged Bearings, 8" Dia.		PNB-5020-TPTUM	Pivot Axle, 6" Wide Forks
	RL-32-S	Steer Wheel Assembly, Steel W/ Flanged Bearings, 8" Dia.	40	3-25801-06	Roll Pin
15	3-27020	Bushing, 3/4", Nylon	41	PNB-5019-TPTUM	Push Rod Axle
16	3-25800-07	Roll Pin	42	KIT-5136-TPTUM	Load Roller Axle
17	3-27021	Washer	43	WHL-5013-TPTUM-D	Load Roller Assembly, Red Ultra Poly On Aluminum Hub W/ Bearings, 3" Dia., Standard Bearings
18	4-00107	Shoulder Pin		WHL-5013-TPTUM	Load Roller Assembly, Black Ultra Poly On Steel Hub W/ Bearings, 3" Dia., Standard Bearings
19	7-61006-02	Lifting Link, 27" Wide Jack, 7" Wide Forks (Ear Inset 3/4")		WHL-5010-EPTUM	Load Roller Assembly, Nylon W/ Bearings, 3" Dia., Standard Bearings
	KIT-5037-TPTUM	Lifting Link, 27" Wide Jack, 6" Wide Forks (Ears Are Flush)		WHL-5013-TPTUM-S	Load Roller Assembly, Steel W/ Bearings, 3" Dia., Standard Bearings
20	3-04501-05	Set Screw	44	BKT-5004-TPTUM	Load Roller Bracket
21	3-11004	Snap Ring	45	KIT-5115-TPTUM	Lifting Link Shaft, 27" Wide Jack
22	4-00308	Eccentric Pin			
23	7-60010-04	Push Rod, 48" Forks			
24	4-61036	Pivot Axle, 7" Wide Forks			
	4-00102	Pivot Axle, 6" Wide Forks			
25	4-61095	Push Rod Axle, 7" Wide Forks			
	4-00101	Push Rod Axle, 6" Wide Forks			
26	4-00100	Load Roller Axle			
27	7-61005	Load Roller Bracket, 7" Fork			
	4-00089-HD	Load Roller Bracket, 6" Wide Forks (Heavy Duty)			
28	4-00117-02	Lifting Link Shaft, 27" Wide Jack			
		Load Roller Assembly, Red Ultra Poly On			
29	3-91003-A-D				

# PALLET JACK PARTS

## Rol-Lift Series E Frame (Including Series E 2.9 (Lowered Height) Jacks)

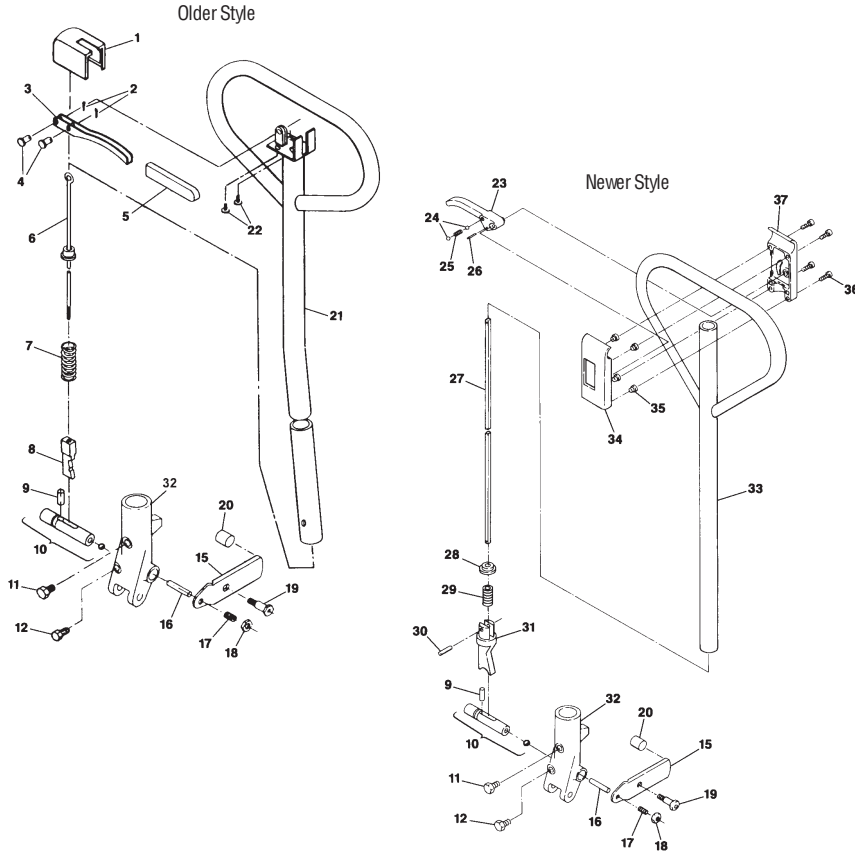


## Rol-Lift Series E Frame

Item#	Part#	Description	Item#	Part#	Description
1	3-27137	Handle Plug	RL-31-S		Load Roller Assembly, Steel W/ Flanged Bearings, 3-1/4" Dia.
2	7-60017	Handle Frame (Foot Control Models)	RL-31-3		Load Roller Assembly, Red Ultra Poly On Aluminum Hub W/ Bearings, 3" Dia., Flanged Bearings
3	4-00103	Bushing (Welded Into Frame)	WHL-5010-EPTUM		Load Roller Assembly, Nylon W/ Flanged Bearings, 3" Dia.
4	3-11005	Snap Ring	RL-31-S-3		Load Roller Assembly, Steel W/ Flanged Bearings, 3" Dia.
5	3-70001	Traverse Bearing	30	KIT-5090-TPTUM	Steer Wheel Axle Assembly
6	4-00058	Traverse	31	3-10203	Washer
7	1-20002	Grease Fitting	32	BRG-5000-TPTUM	Bearing
8	3-11002	Snap Ring	33	WHL-5012-TPTUM	Steer Wheel Assembly, Poly On Nylon Hub W/ Bearings, 7-1/2" Dia., Flanged Bearings
9	3-11003	Snap Ring	34	KIT-5099-EPTFM	Lifting Link, 27" Wide Jack
10	KIT-5144-TPTUM	Pin with Snap Rings	35	BSH-5001-TPTUM	Bushing
11	7-60021	Steer Wheel Axle	36	PHR-5004-TPTUM	Push Rod, 48" Forks
12	3-25801-06	Roll Pin	37	PNB-5025-TPTUM	Pivot Axle, 7" Wide Forks
13	3-70002	Bearing (Flanged)	38	3-25801-06	Pivot Axle, 6" Wide Forks
	T-22-WA	Bearing (Wet Application)	39	PNB-5019-TPTUM	Roll Pin
14	RL-32-HD	Steer Wheel Assembly, Red Ultra Poly On Aluminum Hub W/ Bearings, 8" Dia., Flanged Bearings	40	KIT-5136-TPTUM	Push Rod Axle
	RL-32-ST	Steer Wheel Assembly, Poly On Nylon Hub W/ Bearings, 8" Dia., Flanged Bearings			Load Roller Axle
	RL-32-N	Steer Wheel Assembly, Nylon W/ Flanged Bearings, 8" Dia.	41	WHL-5013-TPTUM-D	Load Roller Assembly, Red Ultra Poly On Aluminum Hub W/ Bearings, 3" Dia., Standard Bearings
	RL-32-S	Steer Wheel Assembly, Steel W/ Flanged Bearings, 8" Dia.			Load Roller Assembly, Black Ultra Poly On Steel Hub W/ Bearings, 3" Dia., Standard Bearings
15	3-27020	Bushing, 3/4", Nylon	WHL-5010-EPTUM		Load Roller Assembly, Nylon W/ Bearings 3" Dia., Standard Bearings
16	3-25800-07	Roll Pin	WHL-5013-TPTUM-S		Load Roller Assembly, Steel W/ Bearings 3" Dia., Standard Bearings
17	3-27021	Washer	42	BKT-5004-TPTUM	Load Roller Bracket
18	4-00107	Shoulder Pin	43	KIT-5127-EPTUM	Lifting Link Shaft, 27" Wide Jack
19	8-60015-01	Lifting Link, 21" Wide Jack			
	KIT-5040-TPTUM	Lifting Link, 27" Wide Jack			
20	PHR-5010-TPTUM	Eye Bolt			
21	3-50002	Nut			
22	7-10041-03	Push Rod, 48" Forks			
23	4-61036	Pivot Axle, 7" Wide Forks			
	4-00102	Pivot Axle, 6" Wide Forks			
24	4-00100	Push Rod Axle, 7" Wide Forks			
	4-00101	Push Rod Axle, 6" Wide Forks			
25	4-00106-01	Lifting Link Shaft, 27" Wide Jack			
26	4-00089-HD	Load Roller Bracket, 6" Wide Forks (Heavy Duty)			
27	4-00100	Load Roller Axle			
28	3-91003-A-D	Load Roller Assembly, Red Ultra Poly On Aluminum Hub W/ 4 Flanged Bearings, 6500# Capacity			
	RL-31-D	Load Roller Assembly, Red Ultra Poly On Aluminum Hub W/ Bearings, 3-1/4" Dia., Flanged Bearings			
	RL-31-N	Load Roller Assembly, Nylon W/ Flanged Bearings, 3-1/4" Dia.			

# PALLET JACK PARTS

## Rol-Lift Series T and E Hand Control Handle

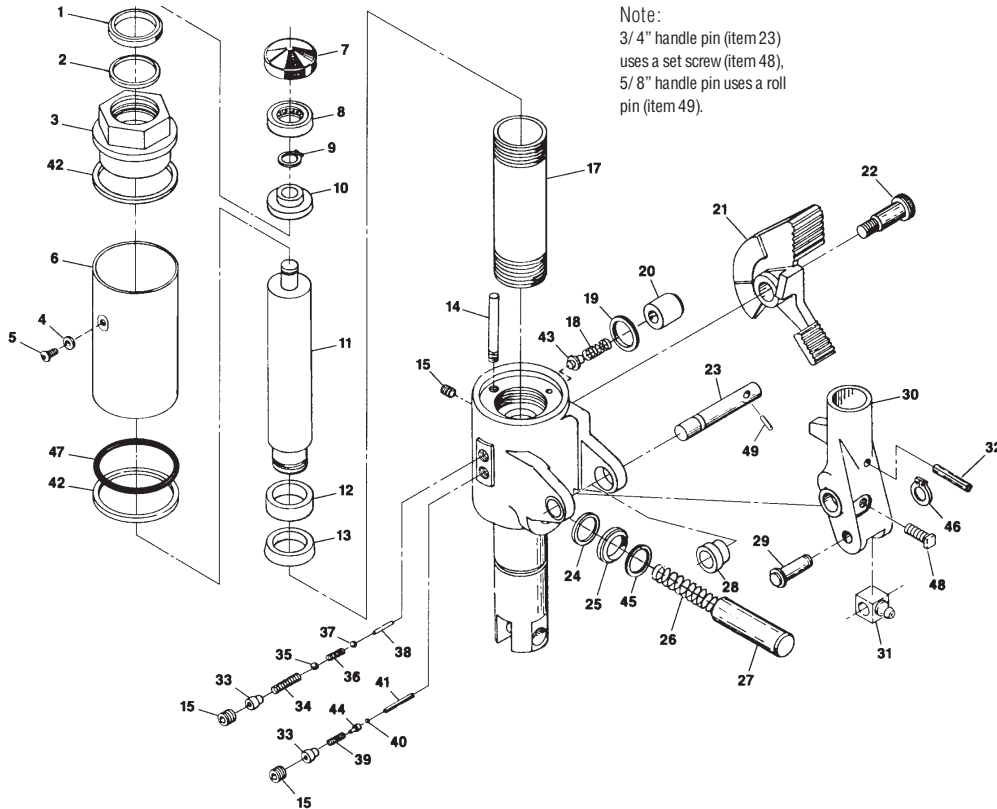


## Rol-Lift Series T and E Hand Control Handle

Item#	Part#	Description	Item#	Part#	Description
1	N/A	Plastic Cover			
2	3-25500	Cotter Pin			
3	N/A	Control Lever			
4	3-60000	Pin			
5	N/A	Control Lever Grip			
6	7-00008	Control Rod			
7	3-20001	Spring			
8	3-27003	Actuator			
9	3-27010	Pivot Shaft			
10	3-27163-S	Pivot Shaft Assembly, 3/4" ID			
11	3-02000-03	Handle Bolt			
12	3-04501-07	Set Screw			
15	7-30048	Fulcrum Bar			
16	N/A	Glide Pin (No longer sold Separately Use Item 10)			
17	3-08006-04	Adjusting Screw			
18	3-50064	Nut			
19	3-00087-04	Bolt			
20	4-00078	Pin			
21	N/A	Handle Assembly ( See Item 33)			
22	3-09998	Screw			
23	3-27133	Control Lever			
24	3-30000	Ball			
25	3-20017	Spring			
26	3-25750-07	Roll Pin			
27	3-27166	Control Rod			
28	3-27134	Spring Retainer			
29	3-20016	Spring			
30	3-25750-05	Roll Pin			
31	3-27138	Actuator			
32	4-60082	Handle Socket (Hand Control Models)			
	4-60072	Handle Socket (Foot Control Models)			
33	7-60016	Handle Frame (See RL KIT-5072-TPTUM)			
	8-60017	Handle Assembly ( See RL KIT-5072-TPTUM)			
	KIT-5072-TPTUM	Handle Assembly ( Incl. Items 9-12 & 23-33)			
34	3-27132	Front Cover			
35	3-51001	Spacer			
36	3-00006-04	Screw			
37	3-27131	Back Cover			

# PALLET JACK PARTS

## Rol-Lift Series T and E Hydraulic Unit



## Rol-Lift Series T and E Hydraulic Unit

Item#	Part#	Description	Item#	Part#	Description
1 AB	1A	Scraper (3000 lb)	AD	RL 3-27020	Bushing, 3/4", Nylon
CDE	1-33500	Scraper	29	RL 4-00082	Piston Pusher Shaft
2 AB	2A	Quad Ring (3000 lb)	30	RL 4-60072	Handle Socket (Foot Control Models)
CD	RL 1-30000	Quad Ring		RL 4-60082	Handle Socket (Hand Control Models)
3	RL 4-00066	Top Nut Not Available	31 C	RL 4-00083	Piston Pusher
4 ABCDE	RL 3-10200	Washer	32	RL 3-25754-11	Roll Pin
5	RL 3-01000-02	Filler Plug	33 ACDG	RL 3-27009	Spring Guide
6	RL 4-00075	Reservoir Housing Not Available	34 ACDG	RL 3-20006	Spring
7	RL 3-27005	Bearing Cap	35 ABCDEG	RL 3-30002	Ball
8	RL 3-70000	Thrust Bearing	36 ABDG	RL 3-20007	Spring
9	RL 3-11024	Snap Ring	37 ABCDEG	RL 3-30000	Ball
	RL 3-25751-06	Roll Pin	38	RL 4-00084	Upper Valve Pin (Round)
10	RL 3-27006	Thrust Collar	39 ACDG	RL 3-20008	Spring
11	RL KIT-5145-TPTUM	Ram Assembly	40 ABCDEG	RL 3-30001	Ball
12 A,B	RL 14A	Bushing	41	RL 4-00086	Lower Valve Pin (Square)
CDE	RL 3-27018	Bushing	42 A	RL 58A	Washer (3000 lb)
13 AB	RL 15A	U-Cup (3000 lb)	CDE	RL 3-26002	Washer
CDE	RL 1-30500	U-Cup	43 ACD	RL 3-27008	Spring Guide
14	RL 1-04500	Hole Plug 1/8"	44 ACDG	RL 3-27007	Ball Guide
	RL 1-90001-02	Relief Valve Not Available	45	RL 67	Retaining Ring (1" Piston)
15 C,G	RL 1-04501	Screw Plug		RL 3-11000	Retaining Ring (13/16" Piston)
17	RL 4-00077	Sleeve	46	RL 3-11001	Snap Ring
18 ABCD	RL 3-20004	Spring (Foot Control Models)	47 AB	RL 1-40004	O-Ring (3000 lb)
	RL 3-20003	Spring (Hand Control Models)	CDE	RL 8B	O-Ring (5000 lb)
19 ABC	RL 1-30001	Quad Ring, 1"	48	RL 3-04501-05-A	Set Screw Kit
20 C	RL 4-00079	Pin	49	RL 3-25750-07	Roll Pin
C	RL 4-00078	Pin	KITS A	RL T5AOK	Seal Kit (1-3/8" Lift Ram; 3000 lb, Some 4500 lb)
21	RL 4-00057	Foot Pedal Not Available	KITS B	RL 7-99003	Seal Kit (Slim Version of T5AOK)
22	RL 3-00090-08	Bolt	KITS C	RL T5BOK-F-SUPER	Super Seal Kit (1-5/8" Lift Ram) Foot Control
23	RL 4-61035	Handle Pin, 5/8", Brass Bushing	KITS C	RL T5BOK-H-SUPER	Super Seal Kit (1-5/8" Lift Ram) Hand Control
	RL 4-00081	Handle Pin, 3/4", Nylon Bushing	KITS D	RL T5BOK	Complete Seal Kit (1-5/8" Ram)
24 ABCDE	RL 1-30001	Quad Ring, 1"	KITS E	RL 7-99001	Seal Kit (1-5/8" Lift Ram)
ABCE	RL 1-32000	U-Cup, 13/16"	KITS G	RL 7-99000	Seal Kit (Spring and Ball Kit)
25 AB	RL 35	Scraper, 1"		HU RL 5000-F	Rebuilt Hydraulic Unit - Exchange
ABC	RL 1-33501	Scraper, 13/16"		HU RL 5000-H	Rebuilt Hydraulic Unit - Exchange
26 A	RL 3-20013	Spring (1" Piston)			
ACD	RL 3-20005	Spring (13/16" Piston)			
27	RL 4-60065	Piston, 1"			
C	RL 4-00080	Piston, 13/16"			
28	RL 3-27055	Bushing, 5/8", Brass			