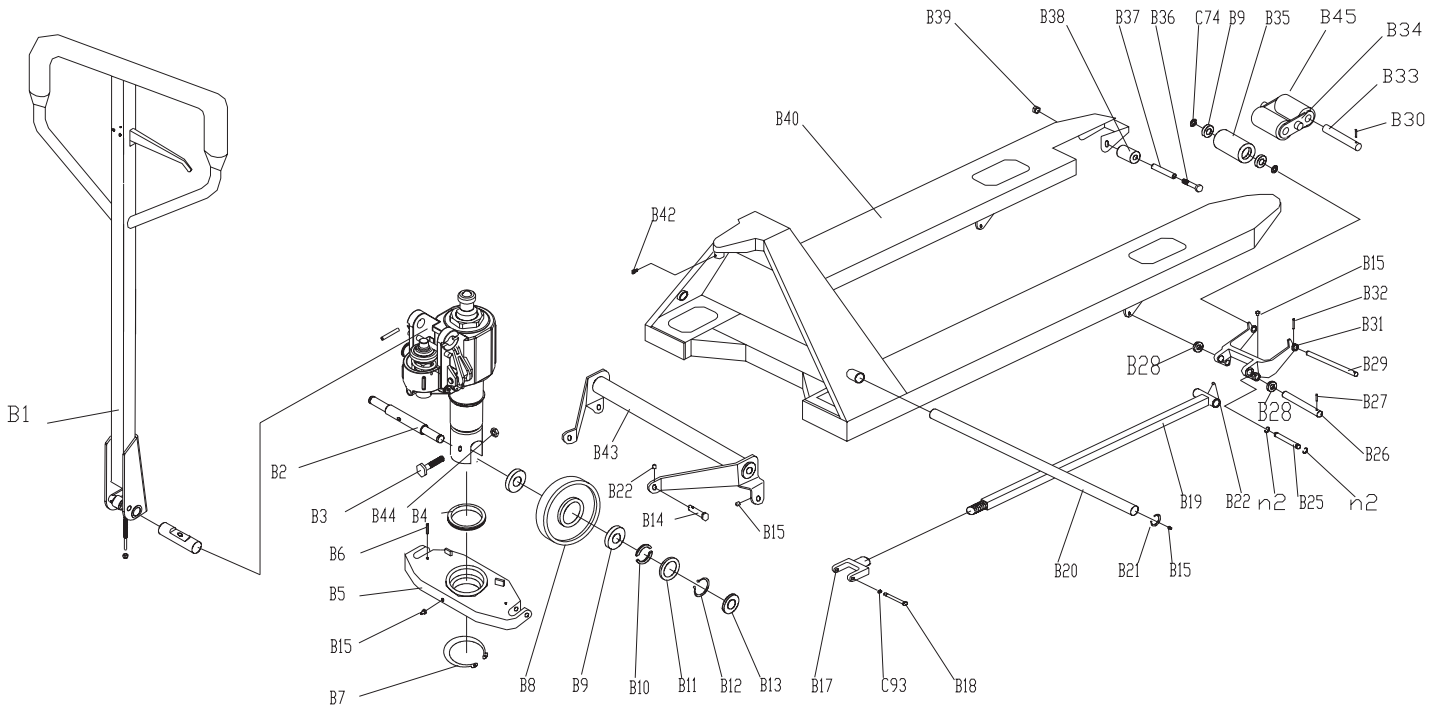


# PALLET JACK PARTS

## MJP20-5500, MJP36-5500& MJP-5500 Frame

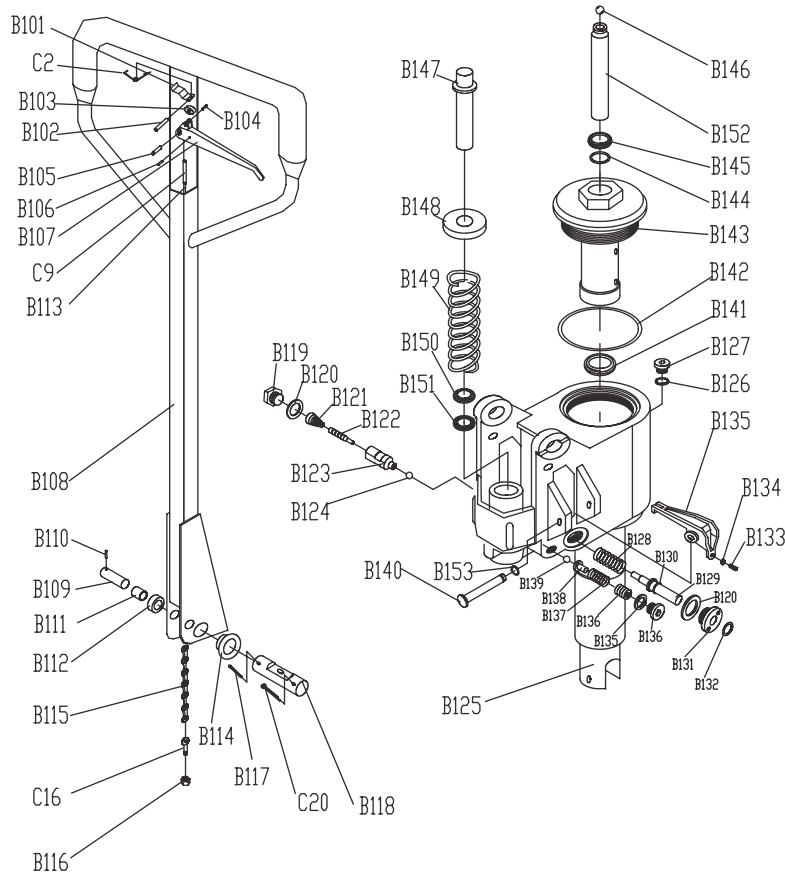


## MJP20-5500, MJP36-5500& MJP-5500 Frame

| Item# | Part#   | Description              | Quantity | Item# | Part#   | Description             | Quantity |
|-------|---------|--------------------------|----------|-------|---------|-------------------------|----------|
| B1    | B1-MJP  | Handle and pump complete | 1        | B34   | B34-MJP | Nog Of Fork Wheel       | 0(4")    |
| B2    | B2-MJP  | Shaft                    | 1        | B35   | B35-MJP | Double Fork Wheel       | 0(4")    |
| B3    | B3-MJP  | Bolt                     | 1        | B36   | B36-MJP | Bolt                    | 2        |
| B4    | B4-MJP  | Bearing                  | 1        | B37   | B37-MJP | Sheath                  | 2        |
| B5    | B5-MJP  | Supporting Base          | 1        | B38   | B38-MJP | Pilot Wheel             | 2        |
| B6    | B6-MJP  | Elastic Pin              | 2        | B39   | B39-MJP | Nut                     | 2        |
| B7    | B7-MJP  | Retaining Ring For Axle  | 1        | B40   | B40-MJP | Fork Frame              | 1        |
| B8    | B8-MJP  | Steel Wheel              | 2        | B42   | B42-MJP | Inside Hex Screw        | 1        |
| B9    | B9-MJP  | Bearing                  | 8        | B43   | B43-MJP | Rocker Arm              | 1        |
| B10   | B10-MJP | Half Circle              | 2        | B44   | B44-MJP | Nut                     | 1        |
| B11   | B11-MJP | Bowl Washer              | 2        | C93   | C93-MJP | Retaining Ring For Axle | 2        |
| B12   | B12-MJP | Retaining Ring For Axle  | 2        | n2    | N2-MJP  | Retaining Ring For Axle | 4        |
| B13   | B13-MJP | Dust Cover               | 2        | C74   | C74-MJP | Washer                  | 4(8")    |
| B14   | B14-MJP | Pin                      | 2        |       |         |                         |          |
| B15   | B15-MJP | Oiler                    | 9        |       |         |                         |          |
| B17   | B17-MJP | Joint                    | 2        |       |         |                         |          |
| B18   | B18-MJP | Pin                      | 2        |       |         |                         |          |
| B19   | B19-MJP | Straight Tappet          | 2        |       |         |                         |          |
| B20   | B20-MJP | Long Shaft               | 1        |       |         |                         |          |
| B21   | B21-MJP | Retaining Ring For Hole  | 2        |       |         |                         |          |
| B22   | B22-MJP | Oiler                    | 4        |       |         |                         |          |
| B25   | B25-MJP | Short Shaft              | 2        |       |         |                         |          |
| B26   | B26-MJP | Shaft                    | 2        |       |         |                         |          |
| B27   | B27-MJP | Elastic Pin              | 2        |       |         |                         |          |
| B28   | B28-MJP | Washer                   | 4        |       |         |                         |          |
| B29   | B29-MJP | Shaft Of Fork Wheel      | 2        |       |         |                         |          |
| B30   | B30-MJP | Elastic Pin              | 2        |       |         |                         |          |
| B31   | B31-MJP | Frame Of Fork Wheel      | 2        |       |         |                         |          |
| B32   | B32-MJP | Elastic Pin              | 2        |       |         |                         |          |
| B33   | B33-MJP | Shaft For Double Wheel   | 0(4")    |       |         |                         |          |

# PALLET JACK PARTS

## MJP20-5500, MJP36-5500 & MJP-5500 Hydraulic Unit



## MJP20-5500, MJP36-5500 & MJP-5500 Hydraulic Unit

| Item# | Part#    | Description           | Quantity | Item# | Part#    | Description             | Quantity |
|-------|----------|-----------------------|----------|-------|----------|-------------------------|----------|
| B101  | B101-MJP | Spring                | 1        | B127  | B127-MJP | Plug                    | 1        |
| B102  | B102-MJP | Elastic Pin           | 1        | B128  | B128-MJP | Spring                  | 1        |
| C2    | C2-MJP   | Spring                | 1        | B129  | B129-MJP | Valve Tappet            | 1        |
| B103  | B103-MJP | Roller                | 1        | B130  | B130-MJP | O-Ring                  | 1        |
| B104  | B104-MJP | Elastic Pin           | 1        | B131  | B131-MJP | Cupreous Sheath         | 1        |
| B105  | B105-MJP | Elastic Pin           | 1        | B132  | B132-MJP | O-Ring                  | 1        |
| B106  | B106-MJP | Elastic Pin           | 1        | B133  | B133-MJP | Regulate Screw          | 1        |
| B107  | B107-MJP | Handle                | 1        | B134  | B134-MJP | Nut                     | 1        |
| B108  | B108-MJP | Hand Tube             | 1        | B135  | B135-MJP | Lever Plate             | 1        |
| C9    | C9-MJP   | Join Blade            | 1        | B136  | B136-MJP | Screw                   | 1        |
| B109  | B109-MJP | Pressure Roller Shaft | 1        | B137  | B137-MJP | Spring                  | 1        |
| B110  | B110-MJP | Elastic Pin           | 1        | B138  | B138-MJP | Steel Ball Base         | 1        |
| B111  | B111-MJP | Bush                  | 1        | B139  | B139-MJP | Steel Ball              | 1        |
| B112  | B112-MJP | Pressure Roller       | 1        | B140  | B140-MJP | Pin                     | 1        |
| B113  | B113-MJP | Pull Rod              | 1        | B141  | B141-MJP | U-Ring                  | 1        |
| B114  | B114-MJP | Bushing               | 2        | B142  | B142-MJP | O-Ring                  | 1        |
| B115  | B115-MJP | Chain                 | 1        | B143  | B143-MJP | Cylinder Liner          | 1        |
| C16   | C16-MJP  | Adjusting Screw       | 1        | B144  | B144-MJP | O-Ring                  | 1        |
| B116  | B116-MJP | Nut                   | 1        | B145  | B145-MJP | Dust Ring               | 1        |
| B117  | B117-MJP | Elastic Pin           | 1        | B146  | B146-MJP | Steel Ball              | 1        |
| C20   | C20-MJP  | Split Pin             | 1        | B147  | B147-MJP | Small Piston Rod        | 1        |
| B118  | B118-MJP | Pressure Shaft        | 1        | B148  | B148-MJP | Hood                    | 1        |
| B119  | B119-MJP | Plug                  | 1        | B149  | B149-MJP | Spring                  | 1        |
| B120  | B120-MJP | Copper Washer         | 2        | B150  | B150-MJP | Dust Ring               | 1        |
| B121  | B121-MJP | Spring                | 1        | B151  | B151-MJP | U-Ring                  | 1        |
| B122  | B122-MJP | Spindle Of Damping    | 1        | B152  | B152-MJP | Big Piston Rod          | 1        |
| B123  | B123-MJP | Seat Of Damping Valve | 1        | B153  | B153-MJP | Retaining Ring For Axle | 1        |
| B124  | B124-MJP | Steel Bead            | 1        |       |          |                         |          |
| B125  | B125-MJP | Base Frame            | 1        |       |          |                         |          |
| B126  | B126-MJP | Copper Washer         | 1        |       |          |                         |          |